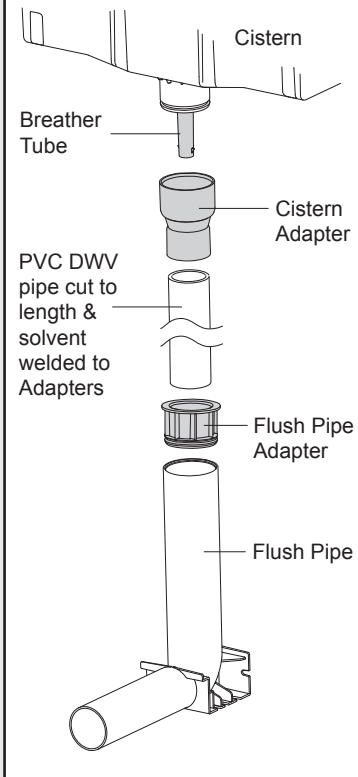


Remote Mounting Box Kit

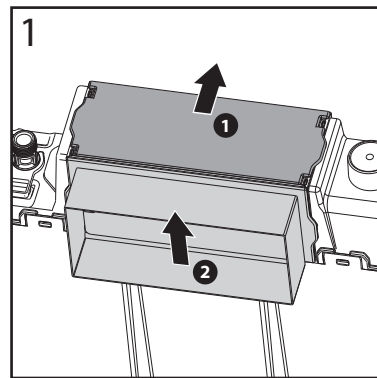
This kit contains

- Remote Mounting Box
- 4m Pneumatic Hose (x2)
- Cistern Adapter
- Flush Pipe Adapter
- Breather Tube

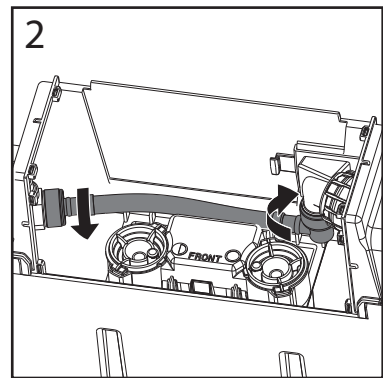
Flush Pipe Extension Setup



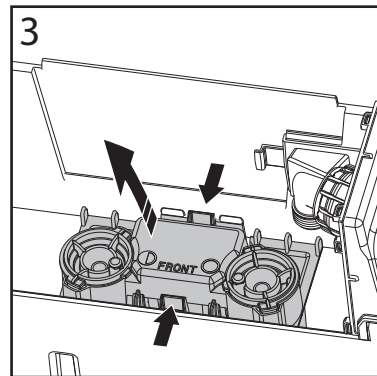
How to install Breather Tube - should be done prior to Cistern installation



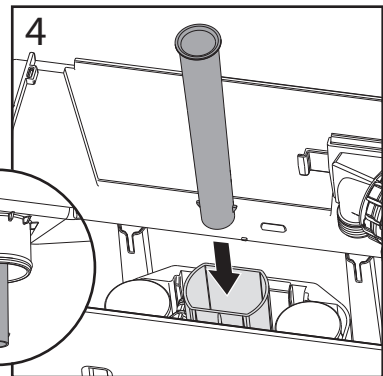
Remove the Tiling Box and other panels from the Lid of the Cistern.



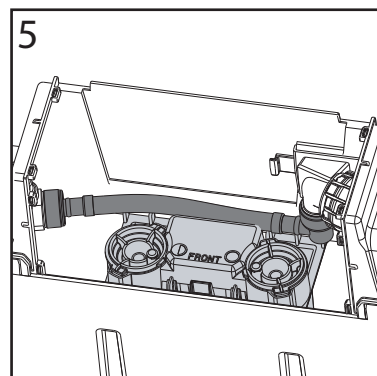
Undo both ends of the Flexible Hose and remove.



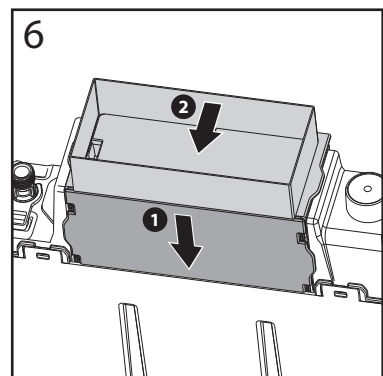
Remove Bridge Assembly by squeezing clips and lifting outwards.



Drop the Breather Tube down the Outlet Valve. Using a tool, push the tube past the retaining clips at the bottom of the valve. The correctly installed Breather Tube should protrude past the bottom of the Cistern tail.

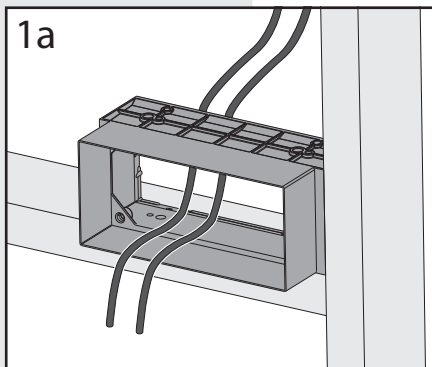


Reassemble in the reverse order, ensuring the Bridge Assembly is securely clipped into place and the Flexible Hose nuts are done up only finger tight.

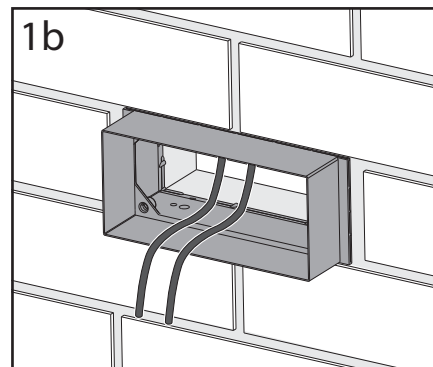


Replace Tiling Box and other Lid Panels in the configuration that the type of installation requires.

How to install Remote Mounting Box

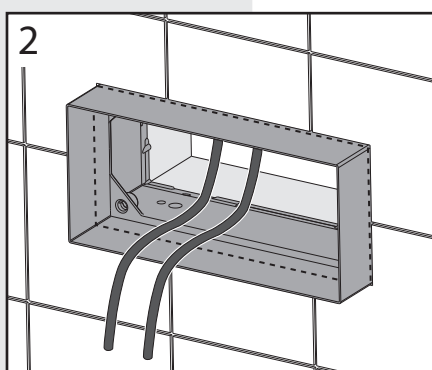


The Remote Mounting Box can be fixed to timber studs using suitable fixings....

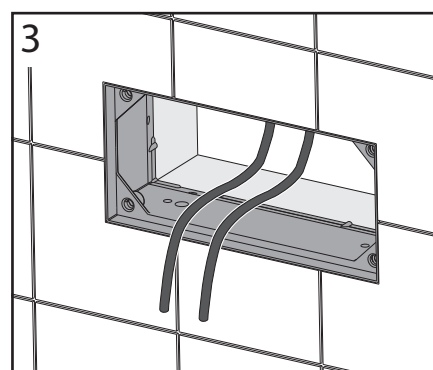


....or mortared into brickwork.

Make sure the Pneumatic Hoses are accessible through the Remote Mounting Box and ensure the hoses have no kinks or are not pinched in any way prior to the final cladding being added.



Once the final cladding has been added the box must be trimmed flush with the wall.



The Remote Mounting Box is now ready for the Button Assembly installation.