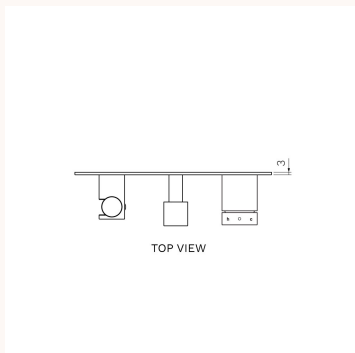




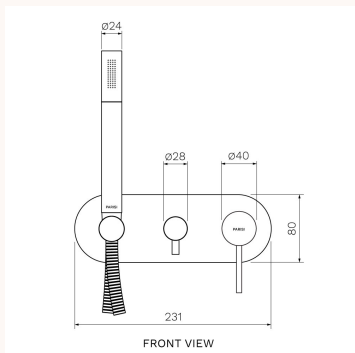
Envy II Wall Mixer with 3-Way Diverter and Handshower

P2.04-D3E-A, P2.04-D3E-A.02, P2.04-D3E-A.41, P2.04-D3E-A.46, P2.04-D3E-A.48, P2.04-D3E-A.50

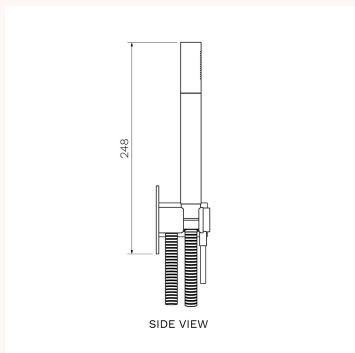
The pure and unadorned styling of the Envy II Collection is available in matching showers, kitchen mixers and bathroom accessories. Brushed Nickel, Brushed Brass, Matt Bronze and Fucile finishes are PVD. Chrome and Matt Black finishes are Electroplate.









TOP VIEW



FRONT VIEW



SIDE VIEW

Product type	Bathroom Tapware
Brand	PARISI
Collection	Envy II
Range	Design
Designers	PARISI Design Team
WxDxH	231mm x 66mm x 315mm
Colour / Finish	<div style="display: flex; justify-content: space-around; align-items: center;"> <div style="text-align: center;">  <p>Chrome</p> </div> <div style="text-align: center;">  <p>Matt Black</p> </div> <div style="text-align: center;">  <p>Brushed Nickel</p> </div> </div> <div style="display: flex; justify-content: space-around; align-items: center; margin-top: 10px;"> <div style="text-align: center;">  <p>Brushed Brass</p> </div> <div style="text-align: center;">  <p>Matt Bronze</p> </div> <div style="text-align: center;">  <p>Fucile</p> </div> </div>
Material	Brass PVD Electroplate
WELS	3 Star
Nominal Flow Rate (L/m)	8 L/min

Warranty	15 Year Warranty
Availability	Stocked Item
Features:	Backplate (mm): 231 x 80. Tilt and Turn Operation. Metal hose 1.25m. Matt Black supplied with 1.5m PVC hose. All other finishes - 1.5m.
Installation Instructions:	Install with in-wall body code X2.04W-D3-A (included).

PARISI

