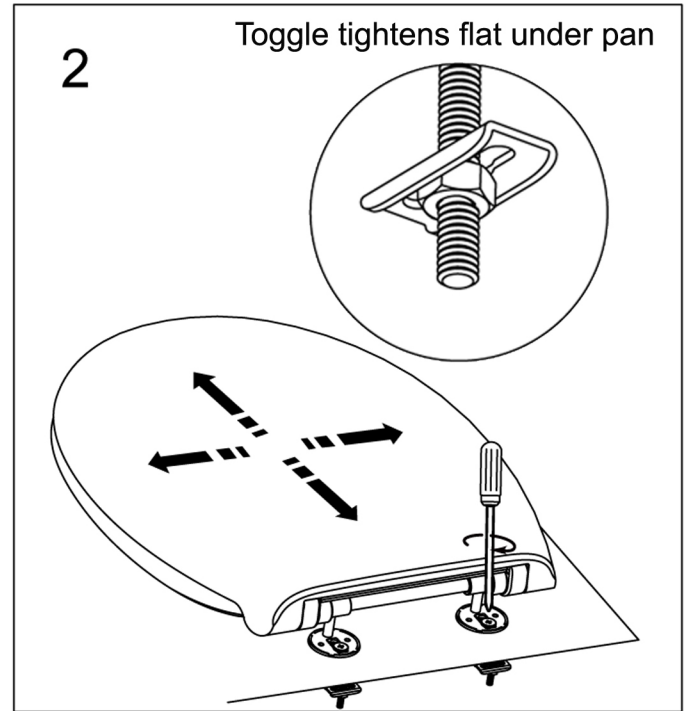
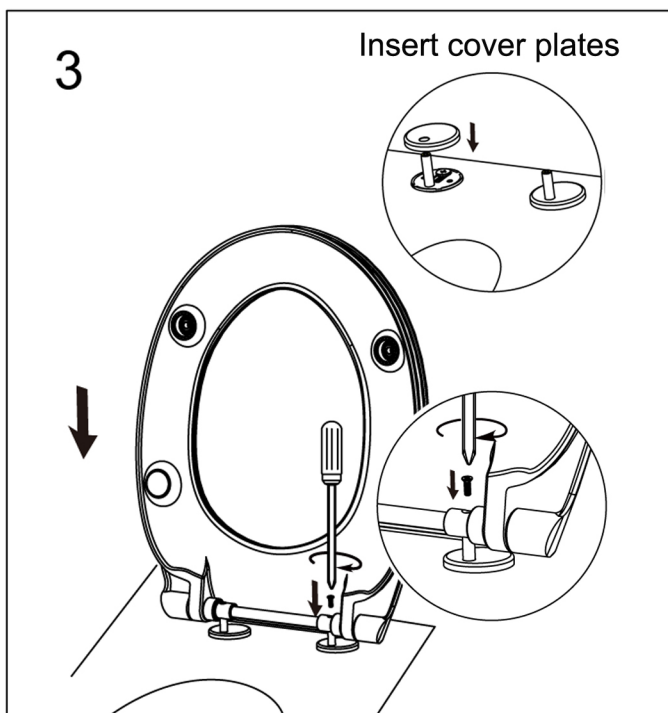


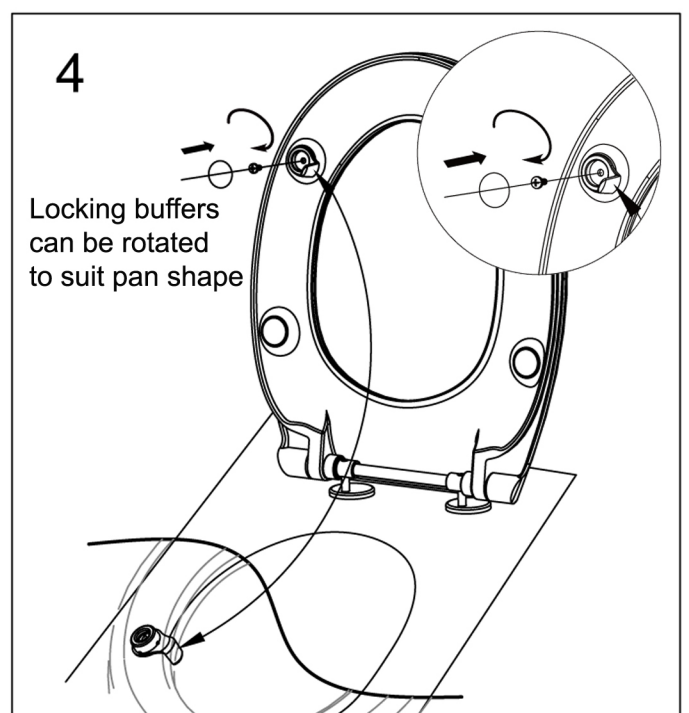
- Assemble hinge kit as shown.
- Angle toggle, then lower bolt and toggle through the pan holes.
- Hold hinge plate up while tightening screw to engage toggle.



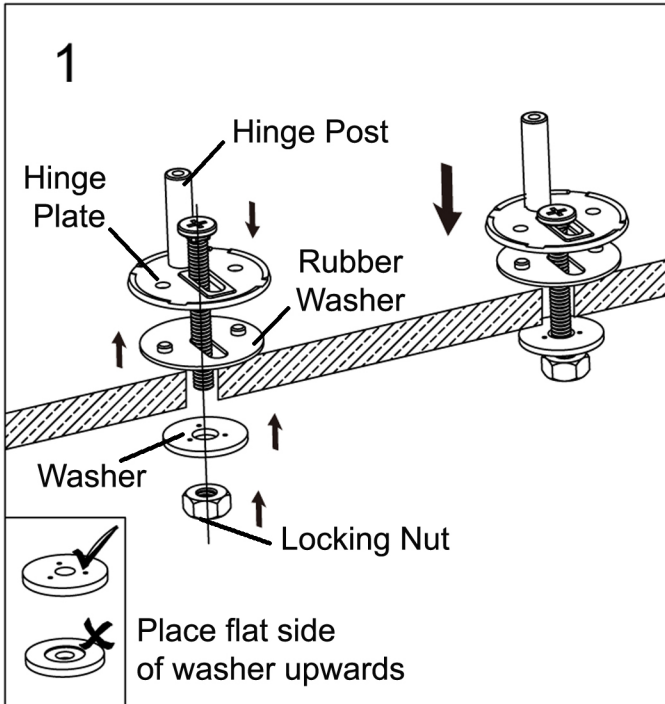
- Use Screwdriver to **partially tighten**.
- Place toilet seat hinge bar holes over hinge posts to align the posts hinge in correct position.
- Align seat position to suit pan and **fully tighten** hinge plate.



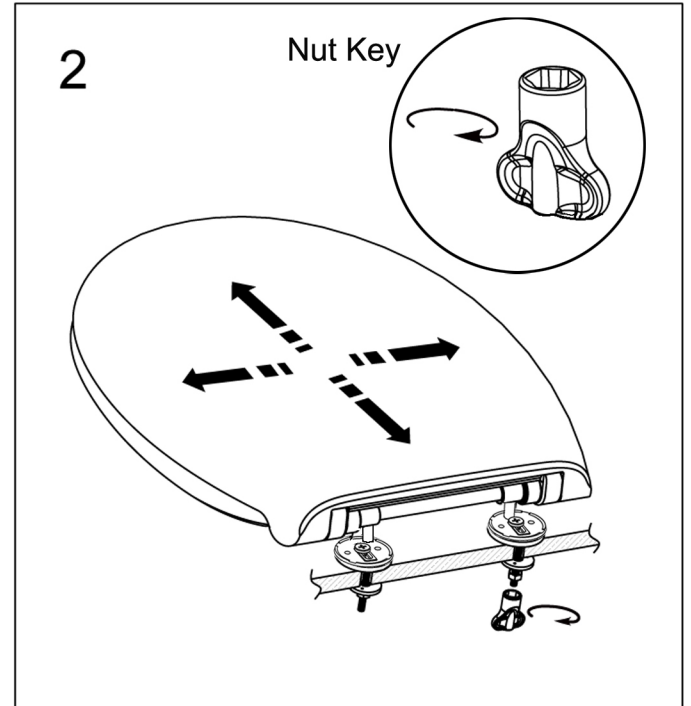
- Remove seat and insert cover plates on hinges.
- Re-attach seat to hinge posts and firmly secure using screws provided.



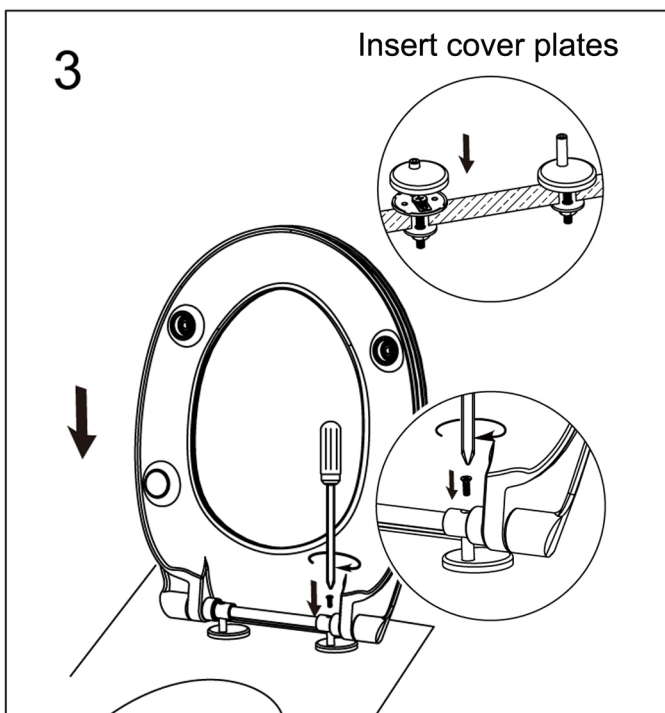
- Attach locking buffers in a position where they align with the inside edge of the pan to avoid sideways movement on the pan.
- Lock into position using the screw.



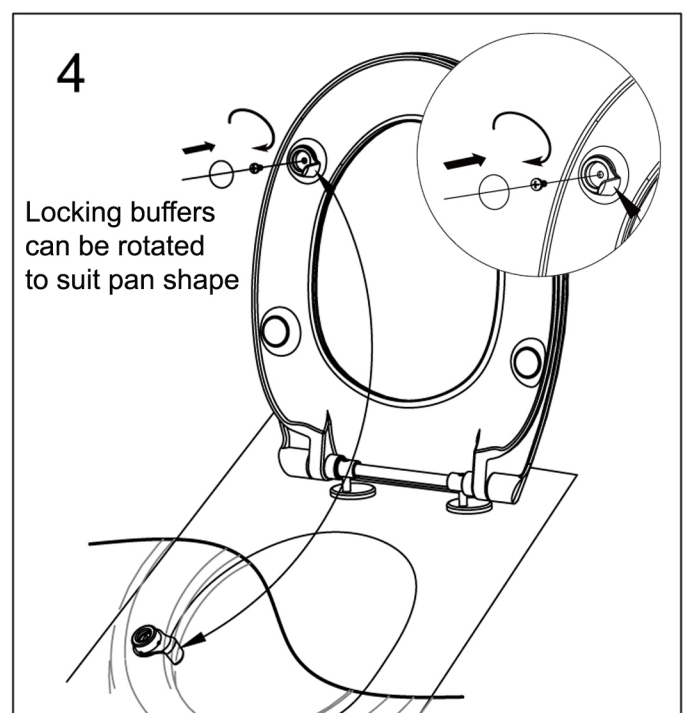
- Assemble hinge kit as shown.
- Insert bolt in pan hole. Add washer flat side upwards and hand tighten the nut using the nut key.



- Use nut key to **partially tighten**.
- Place toilet seat hinge bar holes over hinge posts to align the hinge posts in correct position.
- Fully tighten hinge plate.



- Remove seat and insert cover plates on hinges.
- Re-attach seat and firmly secure using screws provided.



- Attach locking buffers in a position where they align with the inside edge of the pan.
- Lock into position using the screw.