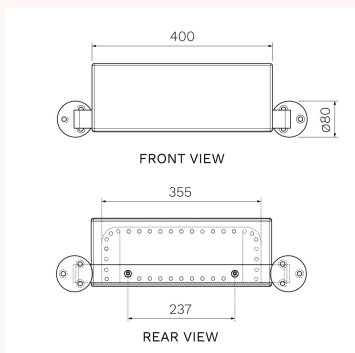
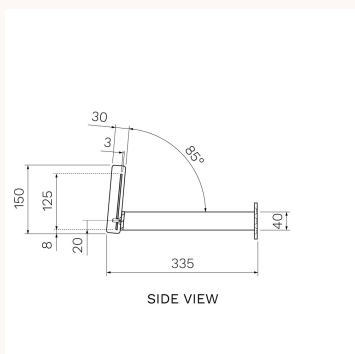
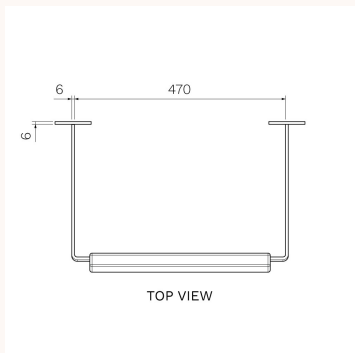




## Envy II Backrest Straight

P2.BRS, P2.BRS.50

The Envy II Backrest is designed to meet the compliance requirements of AS1428.1-2009. The Envy Backrest is engineered for uncompromising safety and accessibility, guaranteeing comfort and peace of mind.



<b>Product type</b>	Bathroom Accessories
<b>Brand</b>	PARISI
<b>Collection</b>	Envy II
<b>Range</b>	Design
<b>Designers</b>	PARISI Design Team
<b>WxDxH</b>	560mm x 335mm x 150mm
<b>Colour / Finish</b>	<div style="display: flex; justify-content: space-around; align-items: center;"> <div style="text-align: center;">  <p>Brushed Stainless Steel</p> </div> <div style="text-align: center;">  <p>Fucile</p> </div> </div>
<b>Material</b>	Stainless Steel

<b>Warranty</b>	1 Year Warranty
<b>Availability</b>	Stocked Item
<b>Installation Instructions:</b>	To ensure the rail will withstand the force stipulated in AS1428.1-2009, the fixings must be anchored in a solid wall or a secure noggin of suitable strength

PARISI

