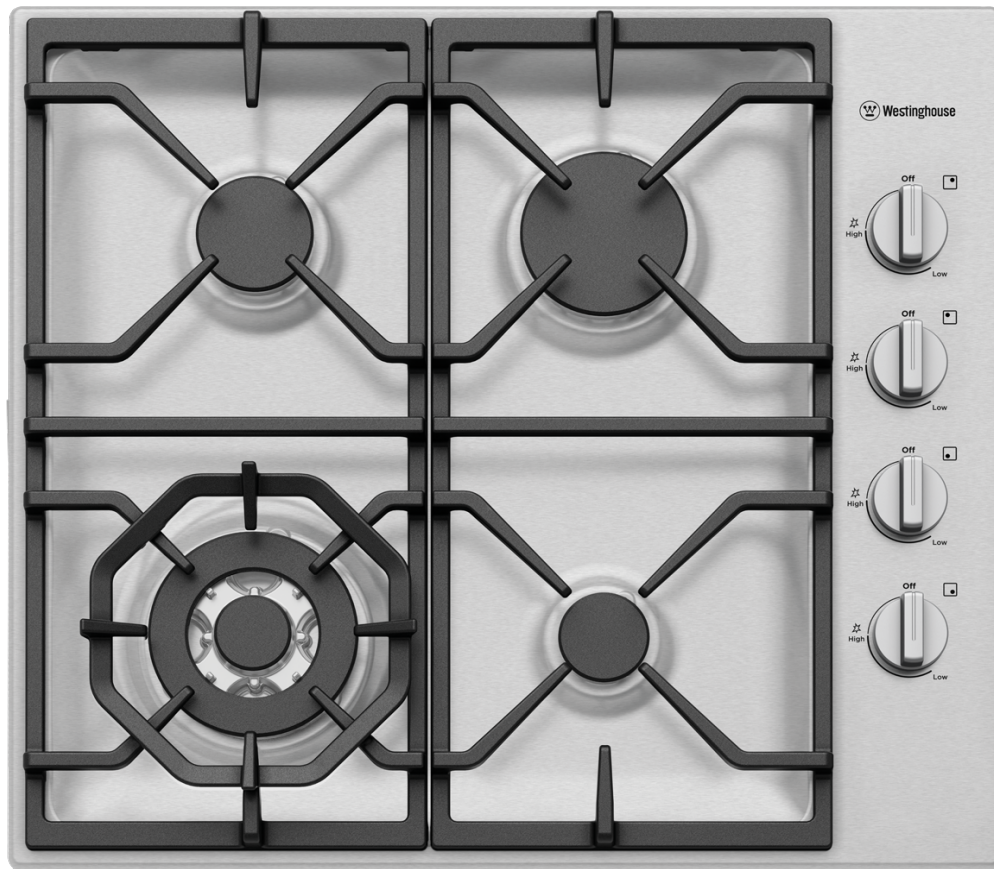


**60cm 4 burner stainless steel gas cooktop with a high powered 14.4 MJ/h wok burner, electronic ignition, flame failure device and cast iron trivets. ONLY AVAILABLE COMMERCIALY**



## Product Details

### FEATURES

---

High powered 14.4 MJ/h wok burner

Cast iron trivets

Flat Trivets

Simple and durable control panel graphics

---

Easy under knob ignition

Flame Failure Device

LP Gas Conversion kit included  
LP Gas Conversion kit included. Must be installed by a licenced tradesperson.

---

### BENEFITS

---

#### Family safety first

Our cast iron trivets flat design ensure the base of your pots and pans are fully supported, allowing you to have a safer and more stable cooking environment.

#### Lock in flavours with high heat

The key to capturing flavours in your favourite stir fry is high heat. With a 14.4 MJ/h wok burner you are able to create dishes the whole family will love.

---

#### Simple and durable control panel graphics

Understanding the cooktop should be easy. That's why our graphics are clear and durable, so they are always there to help you understand how to get the most out of your new cooktop and understand exactly what goes where.

#### Easy flame ignition

With an easy start knob ignition, you are able to just push and turn to your chosen flame setting in order to get cooking.

---

#### Flame out. Gas off.

In the kitchen, it should always be safety first. If the cooktop flame unexpectedly goes out, our Flame Failure Device will automatically shut down the gas supply so you and your family can breathe easy.

---

## Specifications

### PRODUCT PROFILE

Domestic warranty details (yrs)	2
Cooktop type	gas
Materials/Colour	stainless steel
Knob Finish	painted silver

### CONTROLS

Controls of Cooktops	knob
Position of controls	right hand side
Features of Cooktop	flame failure,wok holder,High powered wok burner,Cast iron trivets

### ELEMENTS/BURNERS

#### LEFT FRONT ZONE

Left front zone	triple ring wok
-----------------	-----------------

### DIMENSIONS

Total product height (mm)	58
Total product width (mm)	600
Total product depth (mm)	535
Cut out width (mm)	570
Cut out depth (mm)	490

### FEATURES

Trivets	cast iron
Ignition type	electronic under knob ignition

### LEFT REAR ZONE

Left rear zone	semi-rapid
Left rear Mj/h	9.0

Left front Mj/h	14.4
-----------------	------

---

## RIGHT FRONT ZONE

---

Right front zone	simmer
------------------	--------

---

Right front Mj/h	5.1
------------------	-----

---

## ELECTRICAL SPECIFICATIONS

---

Connected load KW	0.05
-------------------	------

---

Maximum current rating (amps)	10
----------------------------------	----

---

Type of connection	10A plug & lead
--------------------	-----------------

---

## SHIPPING

---

Shipping Weight (Kg)	12.5
----------------------	------

---

Pack Dimensions Height (mm)	165
--------------------------------	-----

---

Pack Dimension Width (mm)	722
------------------------------	-----

---

Pack Dimension Depth (mm)	600
------------------------------	-----

---

## RIGHT REAR ZONE

---

Right rear zone	rapid
-----------------	-------

---

Right rear Mj/h	12.1
-----------------	------

---

## GAS SPECIFICATIONS

---

Total burner output(NG)	40.6
-------------------------	------

---

Maximum gas rating (NG)	40.6
-------------------------	------

---

Maximum gas rating (LP)	34.2
-------------------------	------

---

## STUFFING QUANTITIES

---

20ft	378
------	-----

---

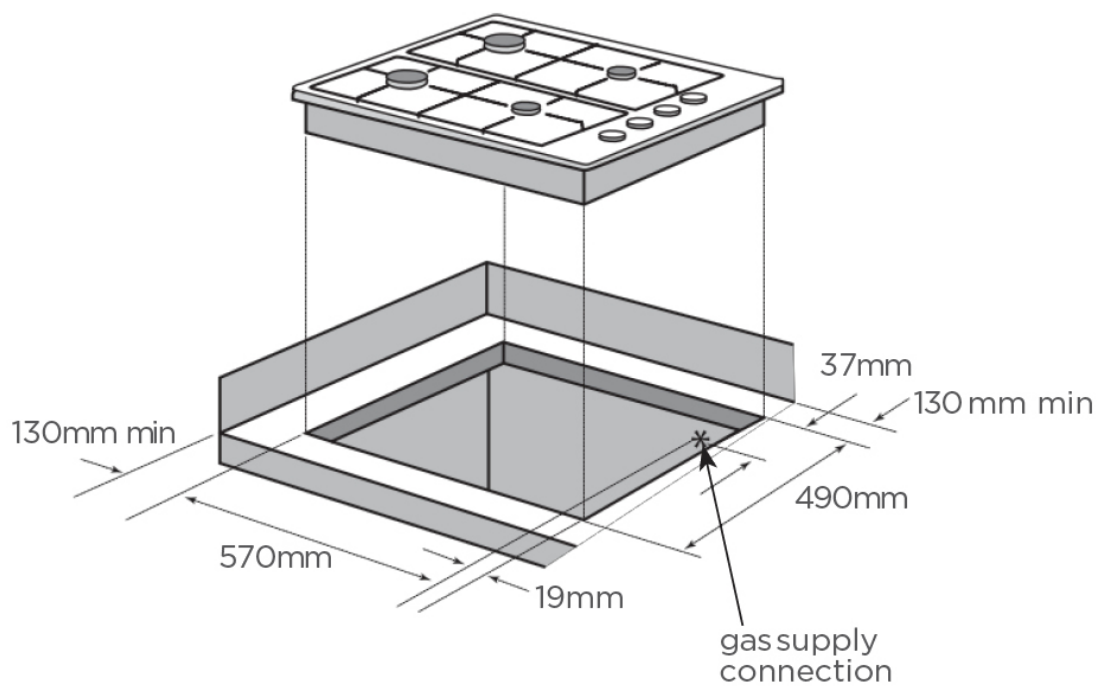
40ft HC	855
---------	-----

---

## Dimensions

### 60cm gas cooktops

WHG643SB, WHG645SB



#### IMPORTANT

These dimensions are a guide only. All measurements are in millimetres (mm).  
For complete installation instructions, refer to the manual provided with product.

# Terms and Conditions

## IMPORTANT

This is a guide of product dimensions only. For complete installation instructions, refer to the manual provided with product.

## PRODUCT INFORMATION

The descriptors and illustrations in this publication apply to the specific products and models described as at the date of issue. Under our policy of continuous product development, product specifications may change without notice. Prospective purchasers should therefore check with their retailer to ensure this publication correctly describes the products that are being offered for sale. All information supplied is to be used for general reference purposes only and is on the understanding that Electrolux Home Products Pty Ltd (Australia) and Electrolux (NZ) Ltd (New Zealand) will not be liable for any loss, liability or damage of whatever kind arising as a result of reliance on such information. Colours of products illustrated are as close as printing limitations allow. Electrolux will at all times comply with its obligations pursuant to law including Trade Practices (Australian Consumer Law) Act and Regulations.

## WARRANTY

This warranty only applies to Appliances purchased and used in Australia or New Zealand and used in normal domestic applications and is in addition to (and does not exclude, restrict, or modify in any way) any non-excludable statutory warranties in Australia or New Zealand. All warranties are subject to the conditions set out in the warranty card accompanying the product when purchased.

### ELECTROLUX HOME PRODUCTS AUSTRALIA

telephone: 1300 363 640

fax: 1800 350 067

email: [customercare@electrolux.com.au](mailto:customercare@electrolux.com.au)

web: [www.electrolux.com.au](http://www.electrolux.com.au)

### ELECTROLUX HOME PRODUCTS NEW ZEALAND

telephone: 09 573 2230

fax: 09 573 2221

email: [customercare@electrolux.co.nz](mailto:customercare@electrolux.co.nz)

web: [www.electrolux.co.nz](http://www.electrolux.co.nz)