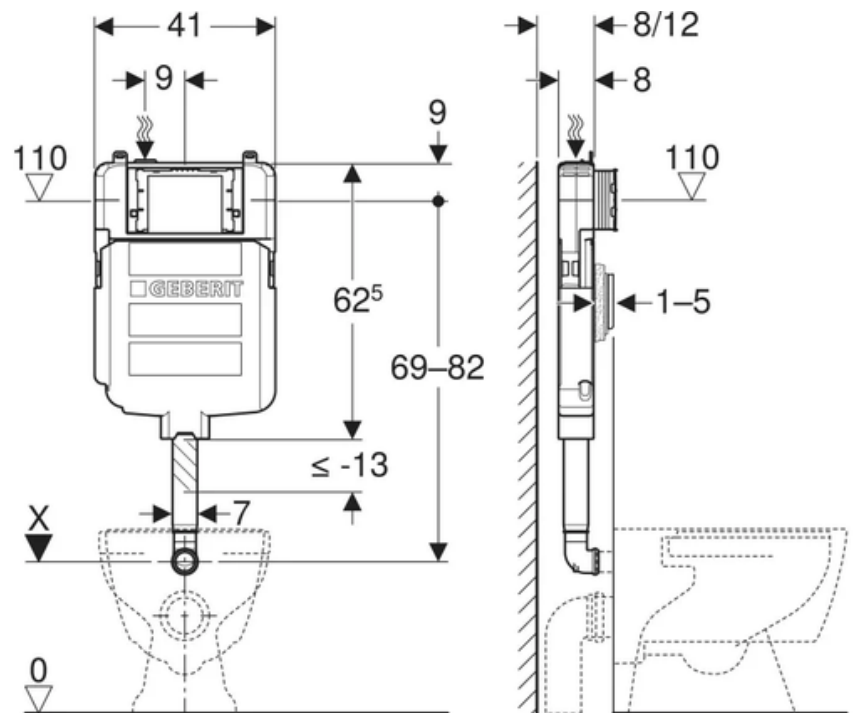


Geberit Sigma concealed cistern 8 cm, 4.5 / 3 litres



Characteristics

- Range 2016
- Concealed cistern with front actuation
- Concealed cistern, fully insulated against condensation
- Cistern fulfils standard requirements in accordance with AS 1172.2:2004
- Immediate post flush possible with factory setting
- Flush bend fitted
- Tool-free installation and maintenance work on concealed cistern
- Water supply connection on the top left
- Water supply connection, dezincification-resistant
- Protection cover box for service opening protects against moisture and dirt
- Protection box for service opening can be cut to length, suitable for surface-even actuator plates

Technical Data

- | | |
|--|-----------------|
| • Flow pressure | 10–1000 kPa |
| • Operating temperature, water max | 25 °C |
| • Flush volume, factory setting | 4.5 / 3 l |
| • Flush volume large, adjustment range | 4.5 / 6 / 7.5 l |
| • Flush volume small, adjustment range | 3–4 l |
| • Product material | Plastic |

Scope of delivery

- Water supply connection R 1/2", compatible with MasterFix and MeplaFix, with integrated angle stop valve and hand wheel
- Protection box for service opening
- Flush bend 90°
- Flush bend extension, ø 45 mm
- Fastening for flush bend
- 2 sleeves made of EPDM
- Protection plug
- Fastening material for drywall

Application purposes

- For drywall construction
- For installation in part or room-height prewall installations
- For installation in room-height installation walls
- For floor-standing WCs
- For single flush, dual flush or stop-and-go flush

Art. no.	B	H	T
109.795.00.1	41 cm	62.5 cm	8 cm