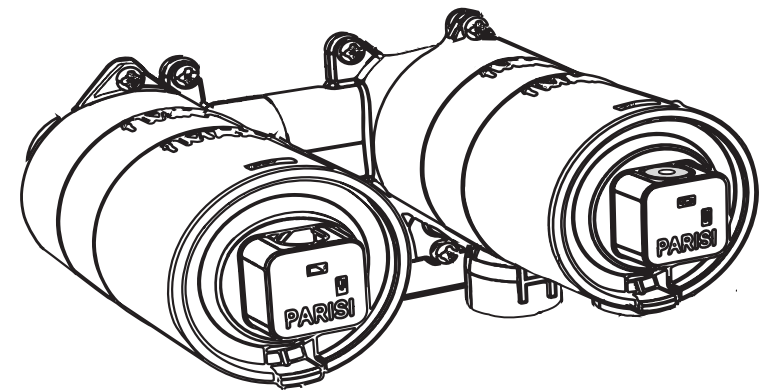


INCASSO

WALL MIXER WITH OUTLET



WARRANTY

Thank you for purchasing our product!

Please follow the instructions in this manual carefully.
Please keep the manual properly stored for future reference.
Regarding future product updates, the product is subject to change without prior notice.

Illustrations in this manual serve as visual demonstration.

In order to guarantee that the product will always function optimally, and to ensure your personal safety, please read and follow these installation instructions carefully before starting.

Product Registration:

Save yourself time and enjoy peace of mind by registering your new PARISI product directly with PARISI.
Simply scan the QR code below and fill in the online form.



PARISI offer a lengthy and comprehensive warranty against manufacturing defects, which is in addition to that required under Australian Consumer Law.

Please refer to our website for full warranty terms and conditions:
<https://parisi.com.au/pages/warranty-information>

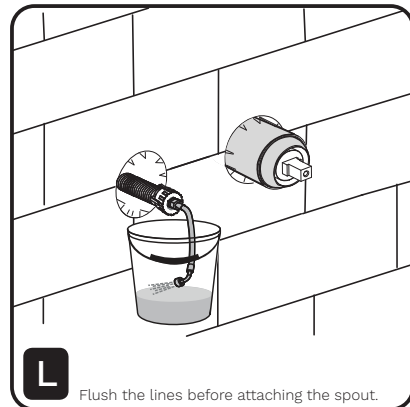
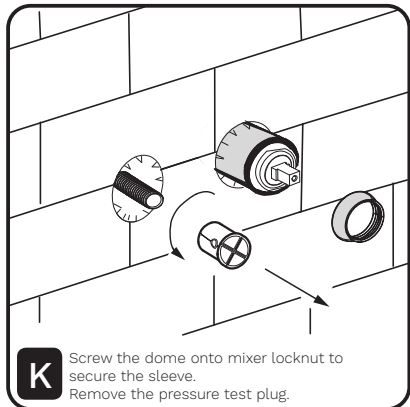
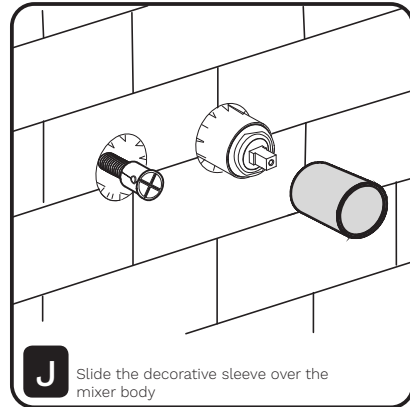
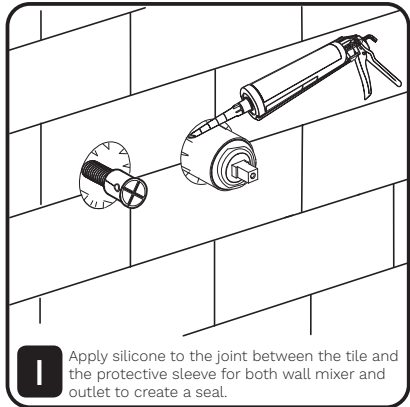
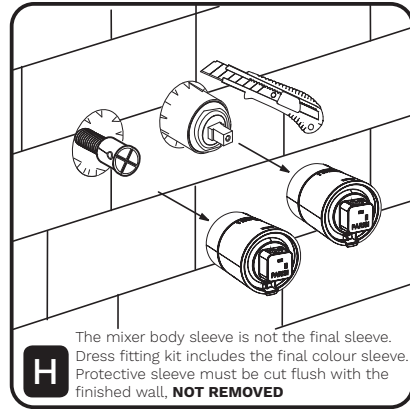
THIS TAP MUST BE INSTALLED BY A LICENSED PLUMBER IN ACCORDANCE WITH LOCAL REGULATIONS

This PARISI tap is manufactured to standard AS/NZS 3718.

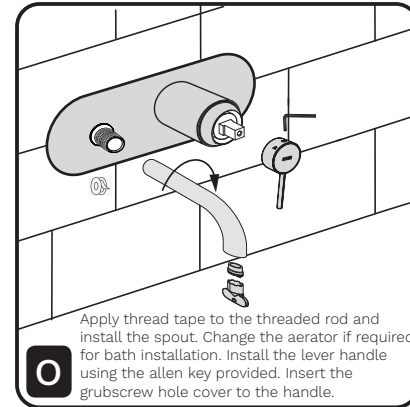
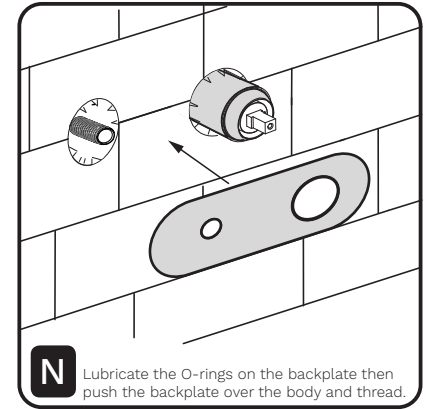
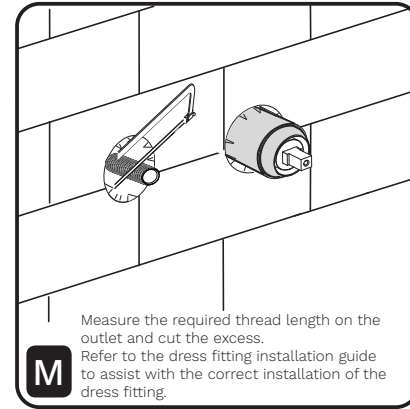
CONDITIONS THAT WILL VOID THE WARRANTY

- Inability to provide a proof of purchase.
- Installation by an unlicensed plumber.
- Installation not adhering to these written instructions.
- Water pressure and water temperature not within the stated ranges in this booklet.
- Failure to service the aerator.
- Not following the cleaning and care instructions indicated in this booklet.

INSTALLATION

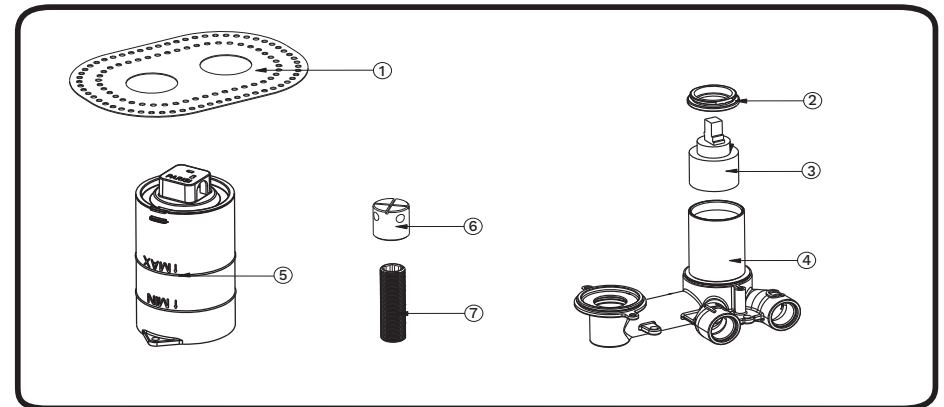


INSTALLATION



Spare Parts

NO.	DESCRIPTION	CODE
1	Rubber Gasket	SP.X4.012G
2	Lock Nut	SP.X2.WMLN
3	Cartridge (35mm)	X1A029N
4	Wall Mixer	X4.01-2W
5	Protective Sleeve	SP.X4.MS
6	Pressure Test Plug	SP.X4.012P
7	Threaded Rod	DIS.NIP2



WARNING



1. Each tapware body assembly is hydraulically pressure tested at the factory. Do not attempt to dismantle the assembly yourself.



2. Before installing the tapware, flush out the water lines to ensure that the pipes are free of any dirt or debris to avoid blockages in the cartridge and other fittings.



3. After installing the tapware, check all connection points for leakages. Always turn OFF water before removing or disassembling the tapware.



4. Hydraulic pressure for PARISI tapware is 50-500kPa (including hot and cold hydraulic pressure).



5. Open tapware handle to relieve water pressure and ensure that the water is shut off completely.



6. Do not apply any undue force when using any tools.



7. Working temperature is 80°.

CLEANING

Regular cleaning will maintain tapware lustre.

- ✓ Only use clean water to rinse and a soft cotton cloth to dry. Never use abrasive products (such as cleaners, cloths or paper) acidic detergent, harsh cleaners or soap.

✓ = Soft Cotton Cloth	✗ = Acid, Strong Detergent
-----------------------	----------------------------

In case of thick sediments proceed as per below:

1. Clean the surface of your tapware with clean water and a soft cotton cloth.
2. Use any of the following to remove the dirt:
 - ✓ Mild liquid detergent.
 - ✓ Clear liquid glass cleaner mixed according to the manufacturers directions.
 - ✓ Non-abrasive liquid polish.
3. After cleaning, rinse the tapware thoroughly again with clean water to remove the cleaning agent and dry the tapware with a soft cotton cloth.



INSTALLATION

