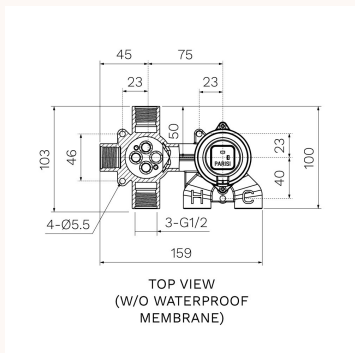
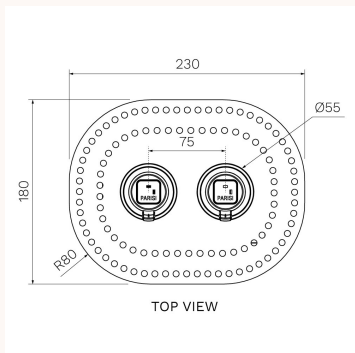
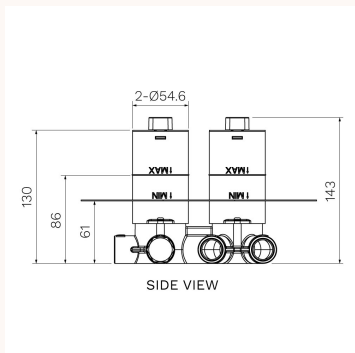





Incasso X4 Diverter Mixer Body (2-way)

X4.04W-D2

Engineered for performance and built to last, the Incasso X4 redefines the standard for in-wall tapware bodies. Supporting leading waterproofing practices, designed for longevity, and engineered for ease of installation, it delivers confidence behind the wall. Its clever construction allows for effortless compatibility with PARISI's extensive collections, from styles to finishes, to complement your design and colour scheme. The Incasso X4 Diverter Mixer Body (2-way) is compatible with wall mixers with diverter on plate and offers a streamlined solution for dual outlet control. It features a single wall-mounted unit with a mixer (to control water temperature and flow) and a diverter (to switch between two outlets, like a shower and bath spout). Both functions are housed on one backplate for a streamlined look, ideal for bath-shower combos, or twin shower set-ups. [Wall Mixer with 2-way Diverter Tapware](#)



Product type	Bathroom Tapware
Brand	PARISI
Range	Design
Designers	PARISI Design Team
WxDxH	160mm x 140mm x 75mm
Colour / Finish	 Brass
Material	Lead-Free DZR brass

Warranty	15 Year Warranty
Availability	Stocked Item
Features:	Water-Sealed Protective Cover. Water-Sealed Outlets. Tailored rubber gasket. Integrated spirit level. Universal Body. One-Piece Body Mounting System. Multiple outlet configurations. Smart Port System. High Performance Cartridge.
Installation Instructions:	Includes ½" male thread adaptor with cap. Recommended pressure: minimum 150 Kpa – maximum 500 Kpa.

PARISI

