

INSTALLATION PROCEDURE

NOTE - Installation must be on a non-compressible wall material.

- 1- Install Caroma bracket and pipework to specified dimensions, as detailed in **Fig. 3**.
- 2- Ensure the contact area on the wall for fitting the Pan is flat and true. Check with straight edge before installation.
- 3- Set the length of the Fixing Studs 48mm from the finished wall surface, as detailed in **Fig. 5**.
- 4- Set the Inlet Pipe to 29mm from the finished wall, as detailed in **Fig. 4**.
- 5- Fit Inlet Kee Seal onto the Inlet Pipe, as detailed in **Fig. 1**.
- 6- Fit Rubber Gasket into position, as detailed in **Fig. 1**.
- 7- Fix the Fixing Sleeves onto Fixing Studs. Make sure tip of Fixing Sleeves are 80mm from finished wall, as detailed in **Fig. 1**.
- 8- Fit the plastic Fixing Bushes into the holes provided in the back of the Pan with the Fixing Rod facing down towards the floor, as detailed in **Fig. 2**.
- 9- Smear pan collar and Inlet Kee Seal with soap solution for push on installation of Pan.
- 10- Install the Pan onto the Fixing Sleeves ensuring engagement onto the Inlet Pipe and pan collar and hold in position.
- 11- Insert Fixing Key through the underside of the Pan into the Fixing Rods which engage the Grub Screws and tighten each Grub Screw to a maximum torque 7Nm[62 lbf-in] on both sides to hold the Pan onto the bracket, as detailed in **Fig. 2**.
- 12- Fit toilet seat.
- 13- For optimum installation, it is recommended that the joint between the Pan and finished wall be caulked with acetic cured silicone sealant.

Installation must be in accordance with AS/NZS 3500.1 and AS/NZS 3500.2.

INCLUDED:

- D.992 Fixing kit (1)
- Rubber Gasket (1)
- 50mm Kee Seal (1)

Fixing Detail

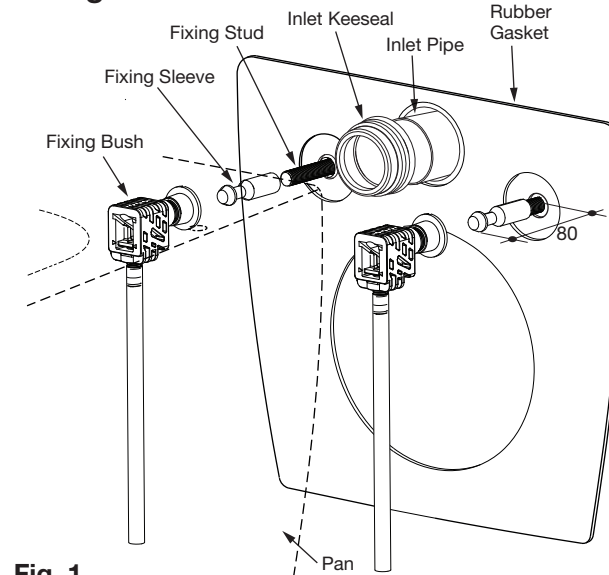


Fig. 1

Fixing Detail

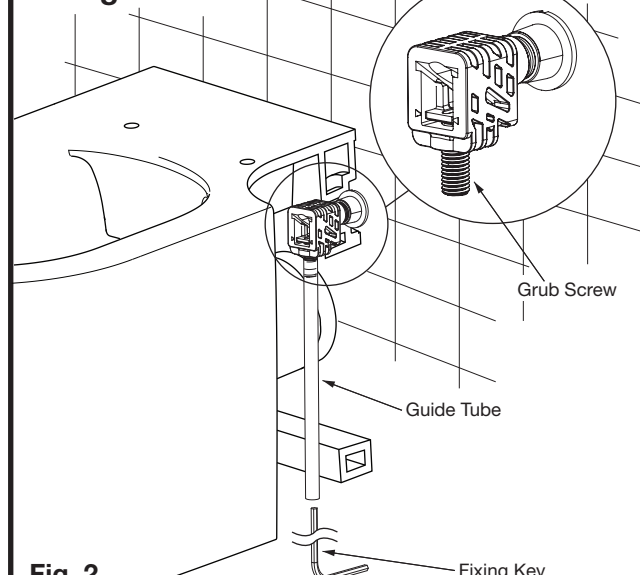


Fig. 2

Set-Out Dimensions

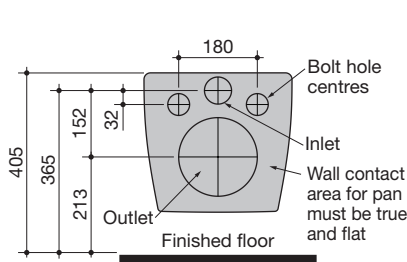


Fig. 3

Inlet Detail

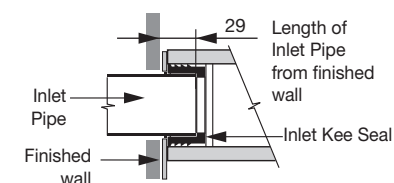


Fig. 4

Installation Detail

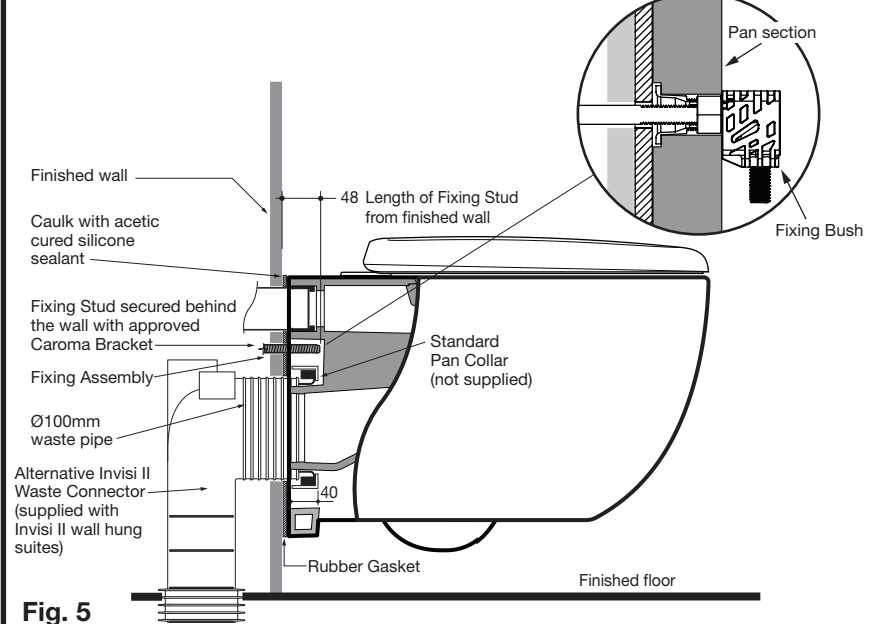


Fig. 5

All measurements are subject to accepted manufacturing tolerances. To ensure accuracy please check actual product dimensions before drilling for installation. The manufacturer reserves the right to change specifications at any time without giving prior notification. This product should be installed by a qualified plumber. Local authority, Water Board, and Building Regulations may apply to the installation of this product, and you should consult the appropriate bodies on these requirements.