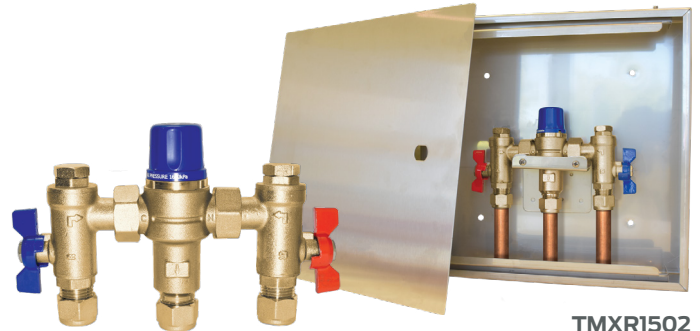


# Pre-plumbed Thermostatic Mixing Valve with Stainless Steel Cabinet

## Scope of Use / Specification Sheet

The Thermostatic Mixing Valve (TMV) has been specifically designed for installation in commercial premises where the hot water supply to bathroom facilities must be maintained at a temperature appropriate for bathing. The valve incorporates an anti-scald thermal shut off system, designed to shut the outlet water flow, should the cold water supply be interrupted.



TMXR1502

### PRODUCT CODE

Size	Product Code
15mm with Cabinet	TMXR1502
20mm with Cabinet	TMXR2002
15mm with Cabinet and Cold Bypass	TMXR1503
20mm with Cabinet and Cold Bypass	TMXR2003
Service kit – 5 years	TMXR1513
Service kit – 1 year	MS310

### SERVICE KITS

#### TMXR1513 – 5 year service kit    MS310 – 1 year service kit

- |  |   |
|--|---|
| <ul style="list-style-type: none"> <li>▪ 2 x BS020 O-Rings</li> <li>▪ 2 x BS013 O-Rings</li> <li>▪ Headwork assembly</li> <li>▪ Internal assembly</li> <li>▪ 2 x Strainers</li> <li>▪ 2 x Face seals</li> <li>▪ RyeMetal knob TMV</li> <li>▪ Grease sachet</li> <li>▪ Instruction sheet</li> </ul> | <ul style="list-style-type: none"> <li>▪ 2 x BS023 O-Rings</li> <li>▪ 2 x Face seals</li> <li>▪ Grease sachet</li> <li>▪ Instruction sheet</li> </ul> |
|--|---|

### FEATURES AND BENEFITS

- Supplied pre-plumbed and tested for ease of installation
- Stainless steel cabinet pre-drilled for wall mounting
- Lockable lid
- Alternative outlet configuration
- Four-in-one inlet fittings
- Adjustable outlet temperature
- High outlet flow rate
- Anti-scald thermal shut off system
- Direct connection to plumbing system
- Built-in non-return valves on hot and cold inlets
- Removable filters on hot and cold inlets
- Approved to AS 4032.1
- TMXR1503 and TMXR2003 includes a cold bypass
- Compliant to the Lead Free requirements of the National Construction Code Volume Three

### APPLICATION

With outlet temperature factory set at 43°C and fully adjustable from 38°C to 50°C, the TMV is ideal for use in applications where a reduction of hot water temperature at specific fixtures is required. The valve is suitable to use with all mains pressure hot water storage units.

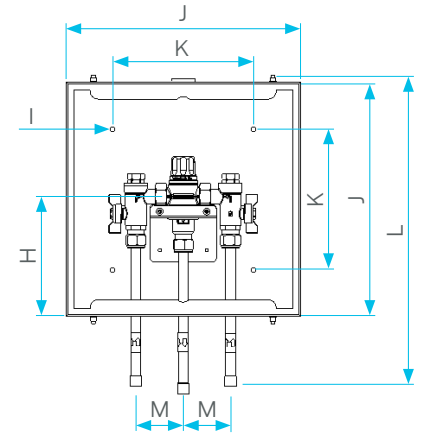
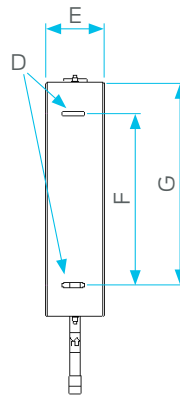
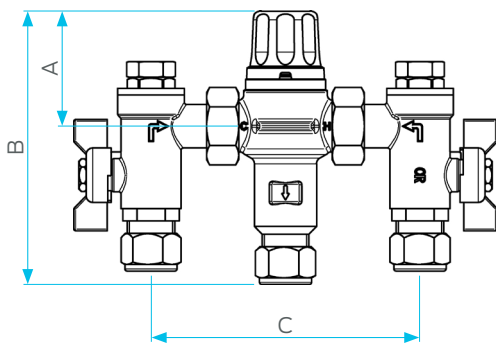
The Stainless Steel Cabinet has been designed with pre-drilled positions for easy wall mounting and a lockable lid to prevent unwanted tampering. The valve may be installed with the outlet positioned on either end of the cabinet.

# Pre-plumbed Thermostatic Mixing Valve with Stainless Steel Cabinet

## DIMENSIONS

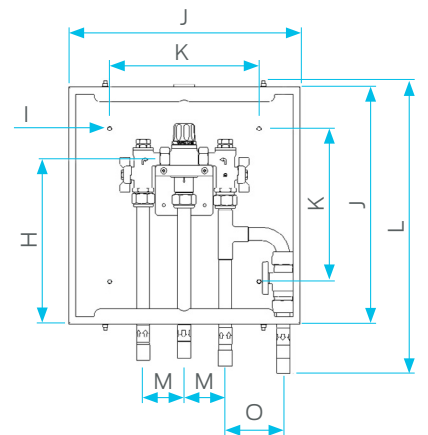
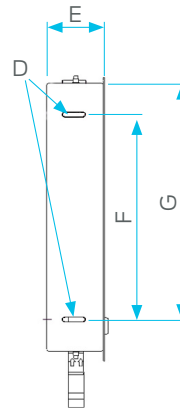
Product Code	A	B	C	D	E	F	G	H	I	J	K	L	M	O
TMXR1502	52	123	122	30 x 6	75	220	260	154	Ø 6.4	300	180	408	61	-
TMXR2002	52	123	121	30 x 6	75	220	260	154	Ø 6.4	300	180	408	61	-
TMXR1503	52	123	122	30 x 6	75	260	300	236	Ø 6.0	340	220	415	60.5	85
TMXR2003	52	123	122	30 x 6	75	260	300	236	Ø 6.0	340	220	415	60.5	85

Note: All measurements in mm unless otherwise stated.



## MATERIALS

Body	Forged lead free DR brass
Seals	Viton®/EPDM
Strainers	60 mesh, stainless steel
Inlet assembly	DR lead free brass
Olives	Copper
Adjustment knob	ABS plastic gloss
Cabinet	Stainless steel
Pipe	½" or ¾" copper tube type B

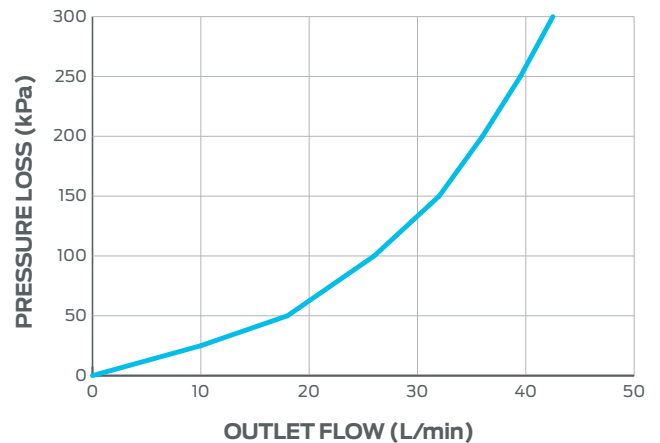


# Pre-plumbed Thermostatic Mixing Valve with Stainless Steel Cabinet

## TECHNICAL SPECIFICATIONS

Hot supply temperature	55–90°C
Cold supply temperature	5–30°C
Static supply pressure (maximum)	1600kPa
Dynamic supply pressure (maximum)	500kPa
Permitted supply pressure variation (maximum)	10:1
Temperature control	± 2°C
Outlet temperature range	38–50°C
Factory set outlet temperature	43°C ± 2°C
Hot to mixed temperature differential (minimum)	10°C
Flow rate (minimum)	4L/min

## FLOW CHARACTERISTICS



## STANDARDS AND APPROVALS



AS 4032.1  
WMKA1593

## INSTALLATION

Installation is subject to the requirements of the applicable regulatory authority, the National Construction Code Volume Three – Plumbing Code of Australia, associated reference standards as applicable at the time and AS/NZS 3500. This product is compliant to the Lead Free requirements of the National Construction Code Volume Three. For further Scope of Use, please visit [www.rmc.com.au/resources](http://www.rmc.com.au/resources).

## WARRANTY

Reliance Worldwide Corporation (Aust.) Pty. Ltd. (RWC) will either replace or repair any defective goods where the defect arose as a result of manufacture within the warranty period. You may contact RWC at the phone number, address or e-mail shown below for further information or to make a claim.

Visit [www.rmc.com.au/warranty](http://www.rmc.com.au/warranty) to view the warranty statement in full and for further important information.