



PRODUCT SPECIFICATION

30302

BREMONT BASIN MIXER TALL 208H

FEATURES

WELS 5* 6 lpm

Reach 112 mm

2 stage flow step valve

Recessed aerator

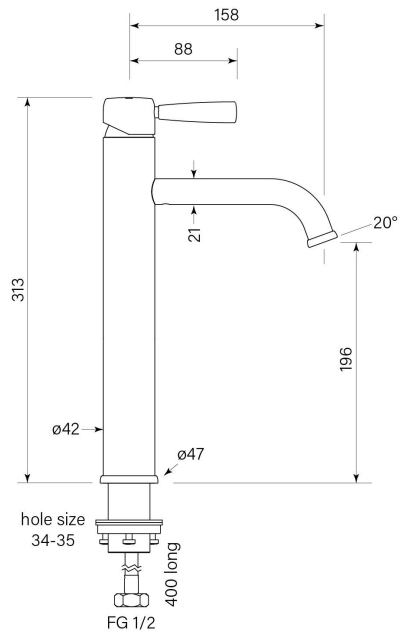
Tap Hole 32-40 mm

WELS registration number T40999

Available for order now

Supply starts from Nov 2025





Faucet Australia Pty Ltd ACN 132 249 702
faucetstrommen.com.au
31 Tate Drive Kerang VIC 3579
Phone: +61 3 5450 4236

Designs and specifications are subject to change without notice E&OE