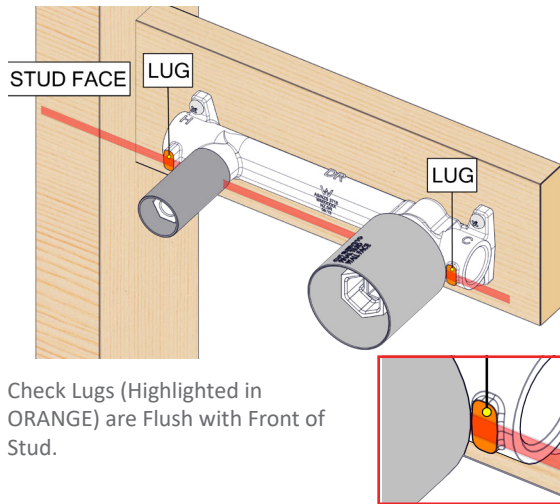


Range from the Nogging face to the Stud Face is 32mm as shown.

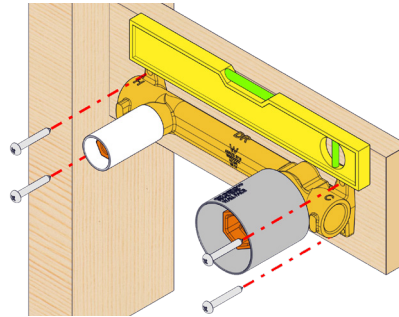
Adjustment range from the finished face of the tiles to the stud is 17mm to 28mm as shown.

Check Wall Mixer Lugs are Flush to Stud to allow for installation of sheet and tiles

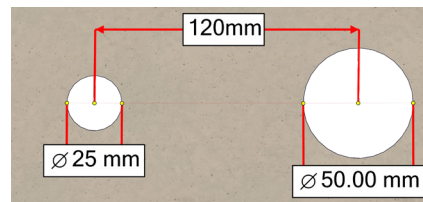


**1** Screw the Mixer Breach onto Nogging to dimensions shown in adjustment range.

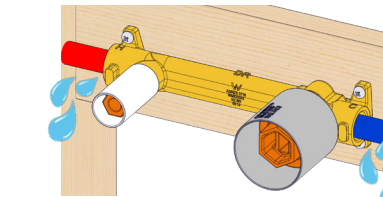
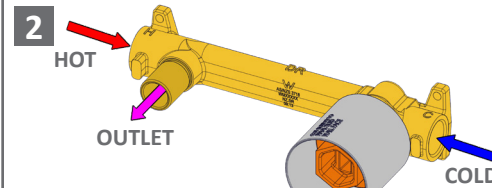
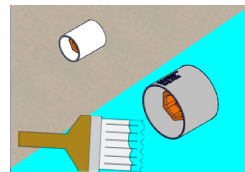
Ensure that the mixer body is level.



**3** Check centre distance of the breach assembly is approx. 120mm. Create a 25mm hole and a 50mm hole on the sheet and tiles, as shown.



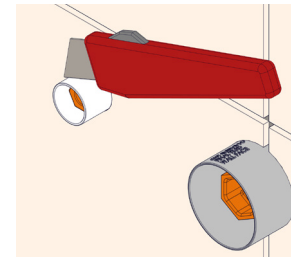
Apply waterproofing membrane up to Waterproofing Sleeve.



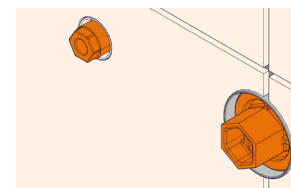
Plumb all connections to Mixer Body.

Ensure wall outlet fitting is capped. Perform **PRESSURE TEST** and check for leaks.

**4** After Tiling use Knife to Trim Waterproofing Sleeves flush to Tile face.



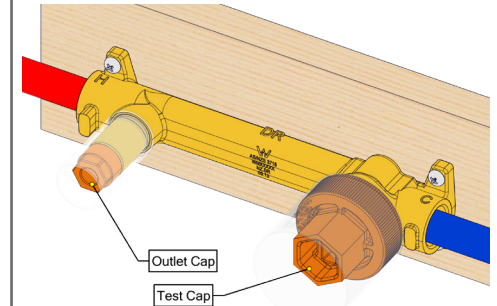
Switchmix ready for fit off (Order Trim Kit separately).



### PRESSURE TESTING

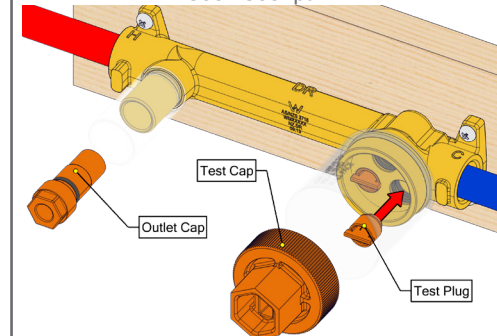
\*Ensure Test Cap is installed correctly before performing pressure test.

**FOR STANDARD PRESSURE TESTING**  
Up To 500Kpa



SwitchMix comes pre-installed with a Test Plug in the Hot Inlet only and a Test Cap.

**FOR HIGH PRESSURE TESTING**  
500-1500Kpa



For high pressure testing of pipes, remove Test Cap and add another Test Plug into the Cold Inlet. Re-attach Test Cap. **Hand Tighten + 120° OR 10 N.m.**

Perform high pressure test for 30 minutes. As per AS3500.1



recommended working pressure  
**150-500KPa**

maximum hot water temperature



**75 degrees**

#### NOTE:

- If the pressure exceeds or is likely to exceed 550kpa, an approved pressure limiting device must be installed.
- Flush out all pipe work prior to installation.
- If the water temperature exceeds 75°C, an approved tempering valve must be fitted.
- Installation should comply with Australian standard AS3500.1 or relevant local authority requirements. Showers may not be suitable for use within:
  - Gravity-fed water systems

- Some instantaneous hot water systems; or
  - Pressure supply less than 150kPa;
- NOTE: The 500kPa maximum water supply pressure does not apply to fire service outlets.

Failure to comply with the above may void all warranties.

#### WARRANTY:

Please refer to the full warranty statement enclosed with the product before installing.

#### MAINTENANCE AND CARE:

- Chrome plated surfaces should be cleaned with mild liquid detergent or soap and water.
- Do not use cream cleaners or citrus based cleaning products, as they are abrasive.
- Use of unsuitable cleaning agents may damage the surface. Any damage caused in this way will not be covered by warranty.

#### DISCLAIMER:

While we aim to ensure the specifications shown are correct at the time of printing, we reserve the right to make modifications without prior notice. Always use the physical product measurements for mark-ups and roughing-in as the line drawing shown may differ from the actual product over time.

\*All measurements are shown in millimeters.