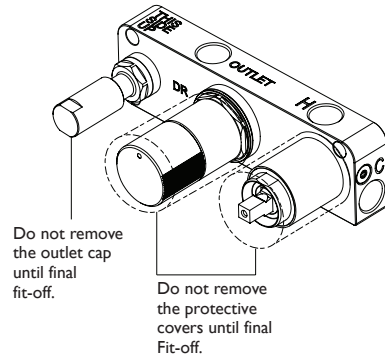


Adjustment range from the finished face of the tiles to the nogging is **45mm to 58mm**, as shown.

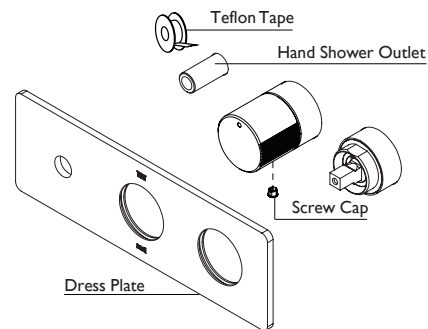
1 Screw the mixer breach to position. Ensure that the mixer breach is level.



4 Remove the protective covers and the outlet cap. Apply Teflon tape to Outlet Thread.

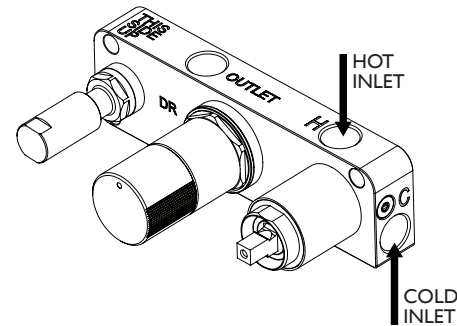
Remove the screw cap from the diverter button. Gently push the dress plate into position.

Fit the screw cap into position.



2 Connect hot and cold water supply, as shown.

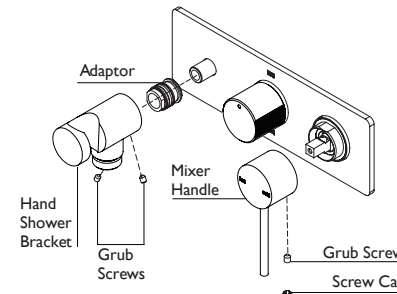
Test and check for leaks.



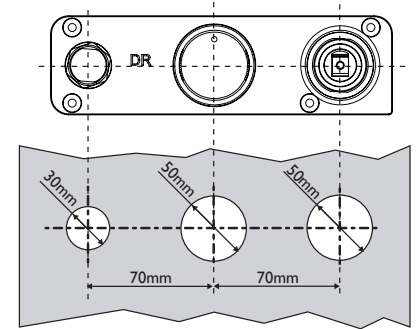
5 Screw the adaptor to Hand Shower Outlet with a spanner.

Push Hand Shower Bracket to the adaptor and fasten grub screws to secure the bracket.

Fit Mixer Handle into position and tighten Grub Screw to secure handle. Fit Screw Cap into position.



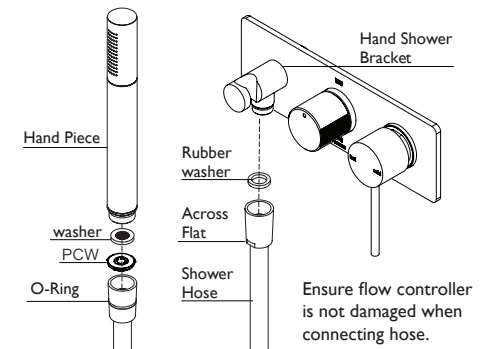
3 Mark hole centre lines. Create a 30mm hole and two 50mm holes on the cement sheet and tiles, as shown.



6 Make sure that shower hose rubber washers are installed into position.

Fasten the shower hose to the G1/2" thread on the bracket with a spanner.

Screw the hand piece to the shower hose firmly by hand.



recommended working pressure
150-500kPa
maximum hot water temperature
75 degrees

NOTE:

- If the pressure exceeds or is likely to exceed 550kPa, an approved pressure limiting device must be installed.
- Flush out all pipe work prior to installation.
- If the water temperature exceeds 75°C, an approved tempering valve must be fitted.
- Installation should comply with Australian standard AS3500.1 or relevant local authority requirements. Showers may not be suitable for use within:
 - Gravity-fed water systems
 - Some instantaneous hot water systems; or

- Pressure supply less than 150kPa; NOTE: The 500kPa maximum water supply pressure does not apply to fire service outlets.

Any flow controller incorporated in the outlet to be tightened to prevent removal by hand. As Per 3718:2021

Failure to comply with the above may void all warranties.

WARRANTY:

Please refer to the full warranty statement enclosed with the product before installing.

MAINTENANCE AND CARE:

- Chrome plated surfaces should be cleaned with mild liquid detergent or soap and water.
- Do not use cream cleaners or citrus based cleaning products, as they are abrasive.
- Use of unsuitable cleaning agents may damage the surface. Any damage caused in this way will not be covered by warranty.

DISCLAIMER:

While we aim to ensure the specifications shown are correct at the time of printing, we reserve the right to make modifications without prior notice. Always use the physical product measurements for mark-ups and roughing-in as the line drawing shown may differ from the actual product over time.

*All measurements are shown in millimeters.