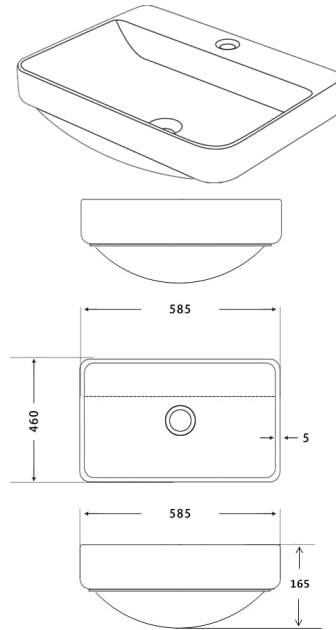


# BRUNETTI

## Inset Rectangular Basin



### PRODUCT CODE

HBNRT201

### FEATURES

585mm  
10 Litre Capacity  
Rectangle  
1 taphole  
No overflow  
Plug & waste  
sold separately  
Tapware displayed  
sold separately

**Finishes**  
Gloss White

**Material**  
All Ceramic

**Warranty**  
5 year warranty,  
12 months parts and  
labour (T&C's apply)

### DISCLAIMER

Installation of this product must be undertaken by a qualified and licensed plumber and in accordance with the National Plumbing Code, AS/NZS 3500 and all applicable local regulations. Harmony products are designed to meet the appropriate Australian Standards. Dimensions contained were correct at the time of publication. However, neither the manufacturer nor the distributor takes responsibility for printing errors. The manufacturer and the distributor reserve the right to vary specifications or delete models without prior notification. A failure to follow the installation instructions, or a failure to have the product installed by a licensed tradesperson, may void the products warranty.



Version Date: 2023/01

harmonybathroomware.com.au

harmony