

SENZA

Back-to-Wall Bath

Bring a sense of calm to your bathroom and maximise space with stylish design



PRODUCT CODE

HBB100 1495mm

HBB101 1695mm

FEATURES

Material

Sanitary ware grade acrylic

Warranty

10 Years (T&C's apply)

Australian Standards

AS 1172.5:2019

FEATURES

Safety

Overflow outlet

Warranty

10 Years (T&C's apply)

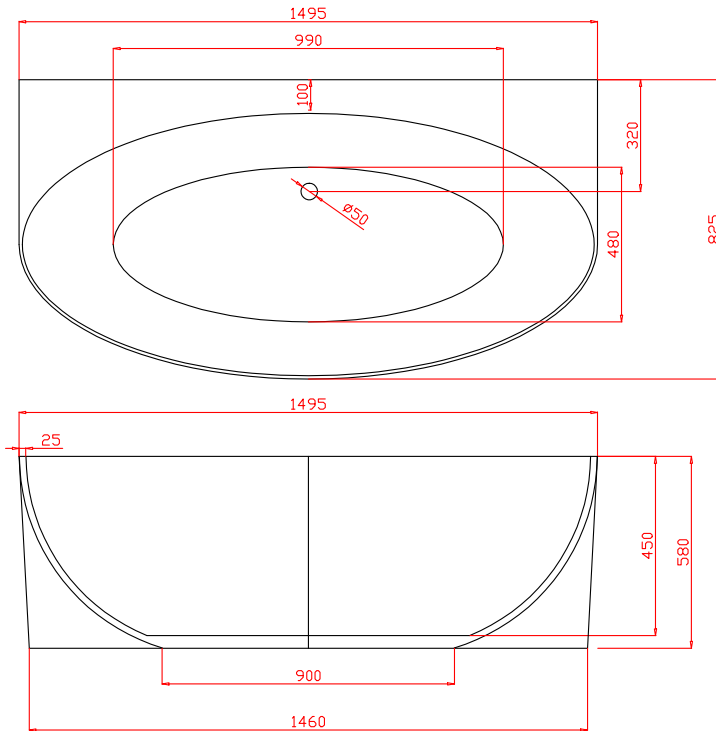
Australian Standards

AS 1172.5:2019

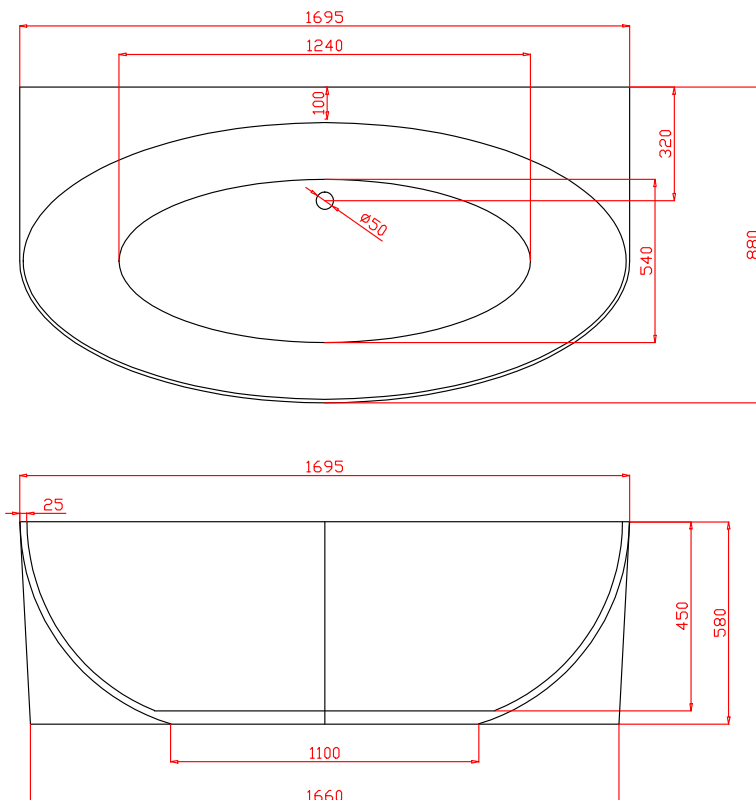
harmony®

PRODUCT DIMENSIONS

HBB100 1495MM



HBB101 1695MM



DISCLAIMER

The installation of this bath should be undertaken by a qualified and licensed plumber and in accordance with the National Plumbing Code AS/NZS 3500.2.2. Installation must also be in accordance with building regulations and local authority requirements. Harmony sanitaryware products are designed to meet the appropriate Australian standards. Dimensions contained are correct at the time of publication. However, neither the manufacturer nor the distributor takes responsibility for printing errors. The manufacturer and the distributor reserve the right to vary specifications or delete models without prior notification. A failure to follow the installation instructions, or a failure to have the product installed by a licensed tradesperson, may void the product's warranty. Refer to Warranty document for T&C's.