



# BASSINI

## INSTALLATION INSTRUCTIONS FOR BASSINI TOILET SUITES

**Bassini toilet suites can be installed with back-entry or bottom-entry water connections. The Bassini pans, both standard height and extra height, can be installed as P-trap, or S-trap using the universal plastic trap connector supplied with the pan.**

Before installation, a visual check of the suite should be undertaken. The pan, seat, pan fixings and trap connector come in one box and the cistern and valves are in a separate box. Ensure that nothing is damaged or missing.

The drawings on the back of this installation document show the “set-out” for the Bassini pan. If it is to be installed as an S-trap, the standard set-out can be anywhere from 90-190mm (Back To Wall models) & 90-110mm (Wall Faced with Concealed Cistern Models) from the finished wall to the centre of the waste outlet. The two-piece plastic trap connector allows additional flexibility in the set-out if needed.

### SETUP:

1. Establish the rough in positions for the water inlet to the cistern, the waste outlet and the holes for the pan fixing brackets (see drawing overleaf). For back-inlet connections, ensure the water inlet connection is extending 40mm from the finished wall.
  2. Prepare the waste outlet according to the required set-out.  
For S-Trap installations, cut the plastic trap connector to suit the set-out. (The grooves on the trap connector are 10mm apart.)  
For P-Trap installations, set the centre of the waste outlet 185mm from the finished floor level.
- NB. A pan collar to connect the P-trap to the waste outlet is not supplied with the pan.**
3. Drill the holes in the floor for the fixing brackets, ensuring that they are 40mm inside the traced outline of the pan (see separate instructions accompanying the bracket).

*The installation of this toilet suite should be undertaken by a qualified and licensed plumber and in accordance with the National Plumbing Code AS/NZS 3500.2 Harmony sanitaryware products are designed to meet the appropriate Australian standards.*

For further information, visit [www.harmonybathroomware.com.au](http://www.harmonybathroomware.com.au)

## S-Trap Installation for: Back To Wall Back-Entry versions:

### Suits Models:

HARMONY10200, HARMONY10250 (Fig. 1)  
HARMONY10400, HARMONY10450,  
HARMONY11400, HARMONY11450 (Fig.3)

1. Lubricate the rubber at the end of the plastic trap connector (using a water-based lubricant) and position it firmly in the waste outlet.
2. Fix the trap connector to the wall using the rod and bracket.
3. Align the pan with the trap connector, then push it back firmly towards the wall so there is a firm connection.
4. Bolt the cistern to the pan, flush it with a bucket of water to ensure there are no leaks.
5. Flush the water line.
6. Connect the water inlet valve using a 15mm mini cistern stop. Fill the cistern and ensure that water is at the correct level. Any minor adjustments should be in line with the instructions accompanying the inlet valve.

### FINAL STEPS:

1. Ensure the toilet suite is level and that the cistern is square to the wall.
2. Attach the cistern to the wall.
3. Attach the seat according to the separate instructions.
4. Fix the pan to the floor using the screws and caps provided.
5. Silicone the suite to the floor and remove any excess.
6. Flush the toilet (both half flush and full flush) to ensure it is functioning correctly.

## S-Trap Installation for: Back To Wall Bottom-Entry versions:

### Suits Models:

HARMONY10300, HARMONY10350 (Fig.2)

1. Lubricate the rubber at the end of the plastic trap connector (using a water-based lubricant) and position it firmly in the waste outlet.
2. Fix the trap connector to the wall using the rod and bracket
3. Bolt the cistern to the pan, flush it with a bucket of water to ensure there are no leaks.
4. Insert a flexible connector through the hole in the side of the pan and connect it to the water inlet at the base of the cistern.
5. Align the pan with the trap connector, then push it back firmly towards the wall so there is a firm connection
6. Connect the other end of the flexible connector to the water point (usually a mini cistern stop) on the wall adjacent to the pan. Fill the cistern and ensure that water is at the correct level. Any minor adjustments should be in line with the instructions accompanying the inlet valve.

### FINAL STEPS:

1. Ensure the toilet suite is level and that the cistern is square to the wall.
2. Attach the cistern to the wall.
3. Attach the seat according to the separate instructions.
4. Fix the pan to the floor using the screws and caps provided.
5. Silicone the suite to the floor and remove any excess.
6. Flush the toilet (both half flush and full flush) to ensure it is functioning correctly.

# S-Trap Installation for: Wall-Faced Pans with Concealed Cistern:

## Suits Models:

HARMONY10500, HARMONY10550 (Fig.4)  
HARMONY10600, HARMONY10650 (Fig.5)

1. Install the cistern in the wall as per the instructions accompanying the concealed cistern. It is important to adhere to the height and pressure recommendations for the cistern.
2. Set the flush pipe from the cistern at the appropriate height to engage with the pan.
3. Lubricate the rubber at the end of the plastic trap connector (using a water-based lubricant) and position it firmly in the waste outlet.
4. Fix the trap connector to the wall using the rod and bracket
5. Align the pan with the trap connector and flush pipe, then carefully push the pan back towards the wall so there is a firm connection of both the trap connector and the flush pipe.
6. Follow the instructions for filling and testing the concealed cistern

## FINAL STEPS:

1. Attach the seat according to the separate instructions.
2. Fix the pan to the floor using the screws and caps provided.
3. Silicone the suite to the floor and remove any excess.
4. Flush the toilet (both half flush and full flush) to ensure it is functioning correctly.

## CARE AND MAINTENANCE:

1. Clean the toilet suite with liquid detergent and a damp cloth.
2. Do not use water additives, or place them in the cistern.

[www.harmonybathroomware.com.au](http://www.harmonybathroomware.com.au)

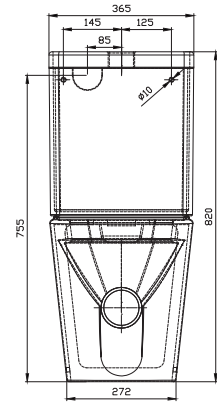
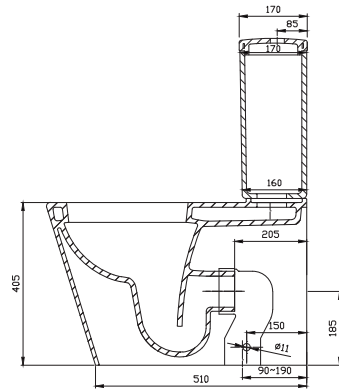
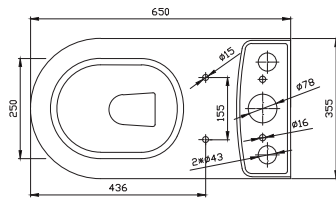
**Disclaimer:** Dimensions and set-outs contained in these instructions are correct at the time of publication. However, neither the manufacturer nor the distributor takes responsibility for printing errors. The manufacturer and the distributor reserve the right to vary specifications or delete toilet suite models without prior notification. A failure to follow these instructions, or a failure to have the product installed by a licensed tradesperson, may void the product's warranty.

**BASSINI**

Back to Wall  
Toilet Suite  
Back Entry

(Fig.1)

HARMONY10200  
HARMONY10250

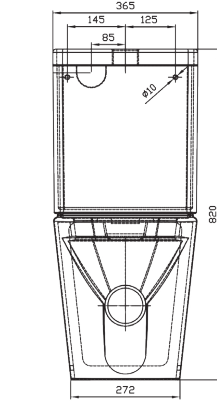
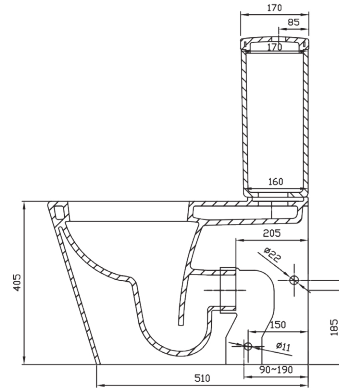
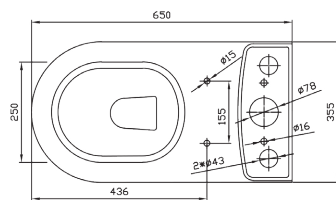


**BASSINI**

Back to Wall  
Toilet Suite  
Bottom Entry

(Fig.2)

HARMONY10300  
HARMONY10350

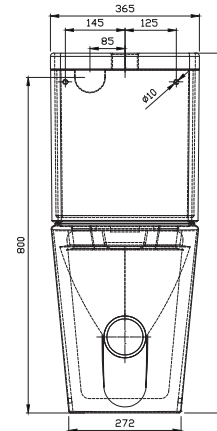
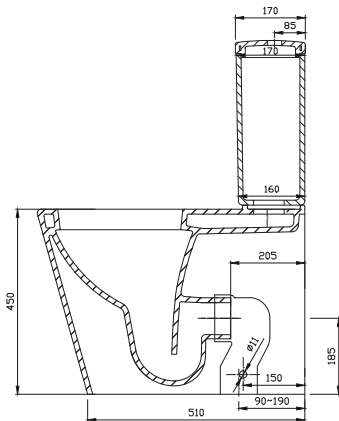
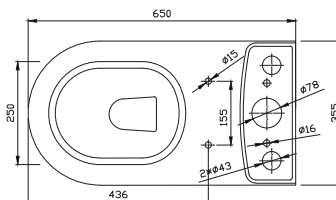


**BASSINI**

Extra Height  
Back to Wall  
Toilet Suite  
Back Entry

(Fig.3)

HARMONY10400  
HARMONY10450  
HARMONY11400  
HARMONY11450

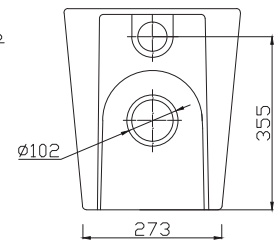
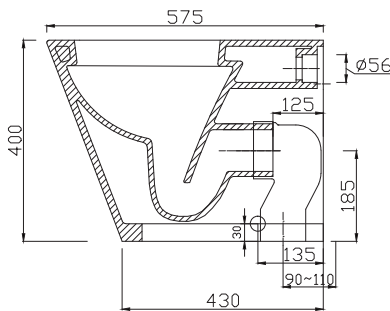
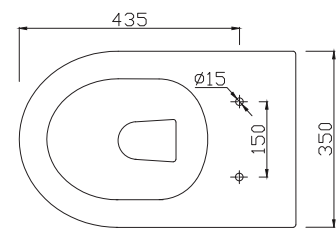


**BASSINI**

Wall Faced  
Toilet Pan with  
Concealed Cistern

(Fig.4)

HARMONY10500  
HARMONY10550



**BASSINI**

Extra Height  
Wall Faced  
Toilet Pan with  
Concealed Cistern

(Fig.5)

HARMONY10600  
HARMONY10650

