

harmony 

harmony 

Installation Instructions for Harmony Back-to-Wall and Freestanding baths

Harmony Baths are available in back-to-wall or freestanding options. Note, plug & waste outlets are not supplied with the baths. Please refer to product specific technical line drawings for product dimensions and location of waste outlets.

Pre-Installation Checks:

Before installation, a visual check of the bath should be undertaken. Ensure that nothing is damaged or missing. Claims for damage will not be accepted after installation. Warranty will be voided if damage sustained during or after installation. Protect your bath before and during installation.

Prior to installation, ensure all requirements for installing baths meet the relevant local authority regulations, building codes and Australian Standards.

Disclaimer: Dimensions and set-outs contained in these instructions are correct at the time of publication. However, neither the manufacturer nor the distributor takes responsibility for printing errors. The manufacturer and the distributor reserve the right to vary specifications or delete toilet suite models without prior notification. A failure to follow these instructions, or a failure to have the product installed by a licensed tradesperson, may void the product's warranty.

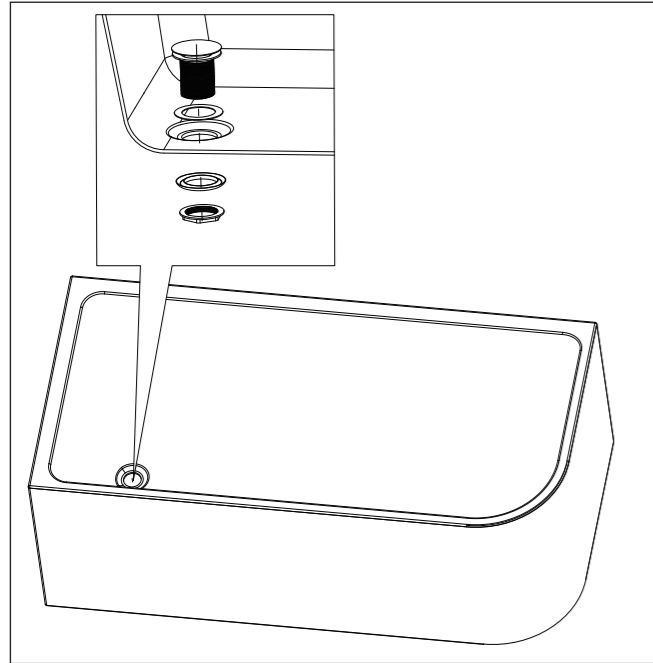
The installation of this toilet suite should be undertaken by a qualified and licensed plumber and in accordance with the National Plumbing Code AS/NZS 3500.2 Harmony sanitaryware products are designed to meet the appropriate Australian standards.

For further information, visit www.harmonybathroomware.com.au

Back-to-Wall Baths

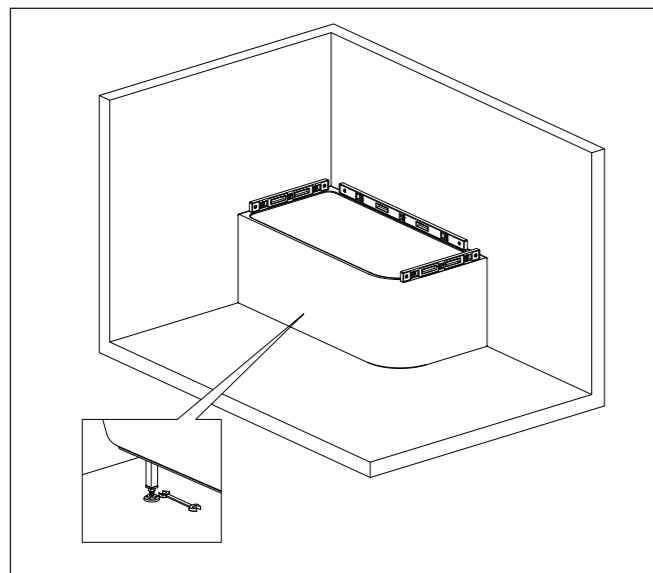
STEP 1.

Remove the bath from the carton. Ensure your bath does not come into contact with any rough surfaces that may scratch the bath. Place the bath on cardboard or carpet prior to installation. Install the plug & waste (not supplied) before installing the bathtub.



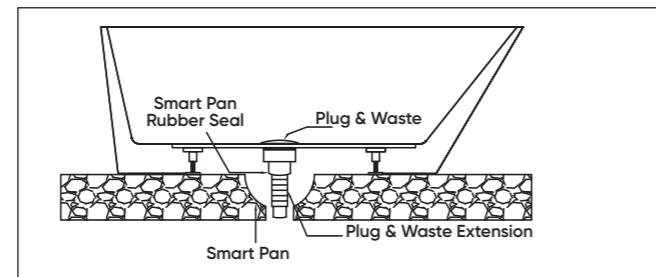
STEP 2.

Place the bath into the correct position for installation. Adjust the self-levelling feet to ensure the bath is level.



STEP 3.

Connect the bath to the drainage outlet. (Optional connectors are available for easier installation).

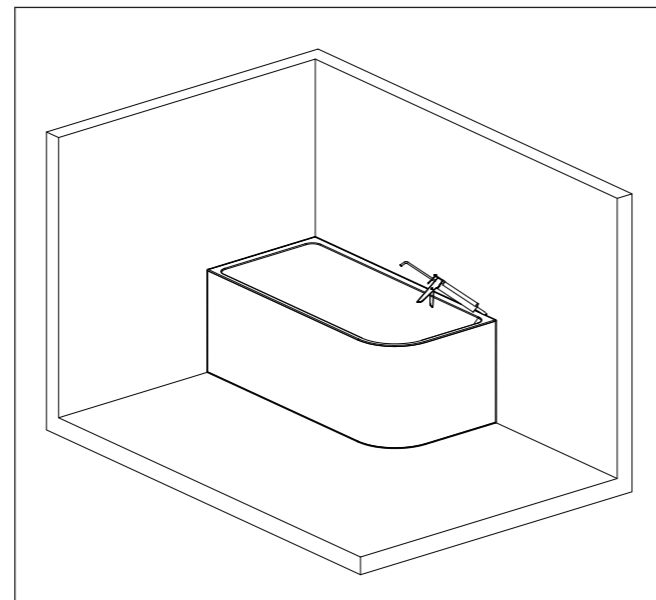


STEP 4.

Remove the protective masking plastic adhered to the bath. Complete a drainage test. Fill the bath with water and check that all water flows freely to the waste outlet. Check the level and adjust feet if necessary. Note a small amount of water may pool due to surface tension.

STEP 5.

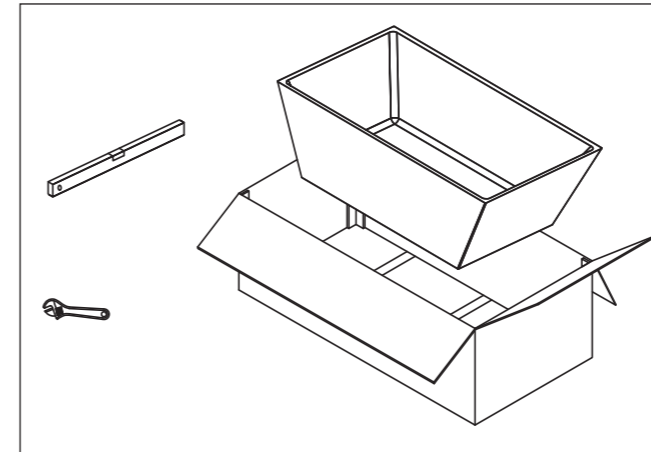
Apply silicone to the back and side of the bath into the wall cavity. Finish tiling and grouting the wall around the bath. Apply a thick bead of silicon around the bath base & the finished floor & allow it to set for 24 hours.



Freestanding Baths

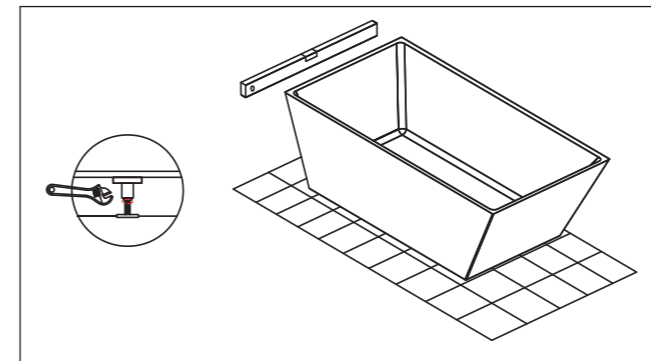
STEP 1.

Remove the bath from the carton. Ensure your bath does not come into contact with any rough surfaces that may scratch the bath. Place the bath on cardboard or carpet prior to installation. Install the plug & waste (not supplied) before installing the bathtub. Place the bath in position for installation.



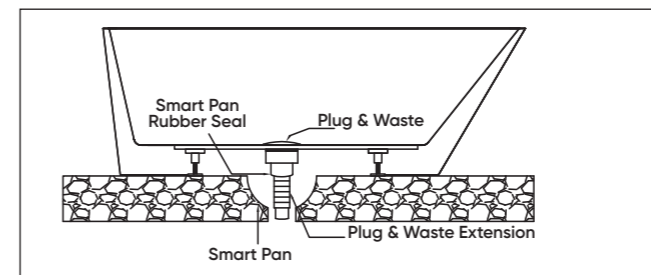
STEP 2.

Adjust the self-levelling feet to ensure bath is level. If the bath is not level, the water will not drain to the waste outlet. Ensure legs are adjusted in line with the base of the bath.



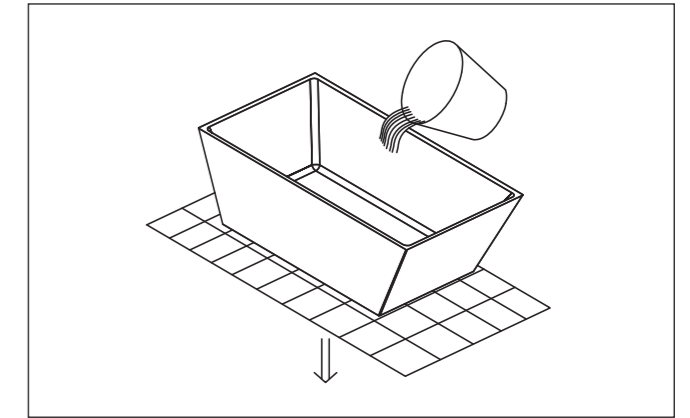
STEP 3.

Connect the bath to the drainage outlet. (Optional connectors are available for easier installation).



STEP 4.

Remove the protective masking plastic adhered to the bath. Complete a drainage test. Fill the bath with water and check that all water flows freely to the waste outlet. Check the level and adjust feet if necessary. Note a small amount of water may pool due to surface tension.



STEP 5.

Apply a thick bead of silicon around the bath base & the finished floor & allow it to set for 24 hours.

