



# Argent 80 In Wall Smart Cistern - Mechanical

## Product Image



## Product Details

<b>Code:</b>	<b>IN38905WB</b>
Brand:	Argent
Range:	In Wall
Warranty:	15 Years
WELS:	4 Star 3.5 LPM, Reg #: L05256

## Additional Features

### Required Product

- S0420101S4B

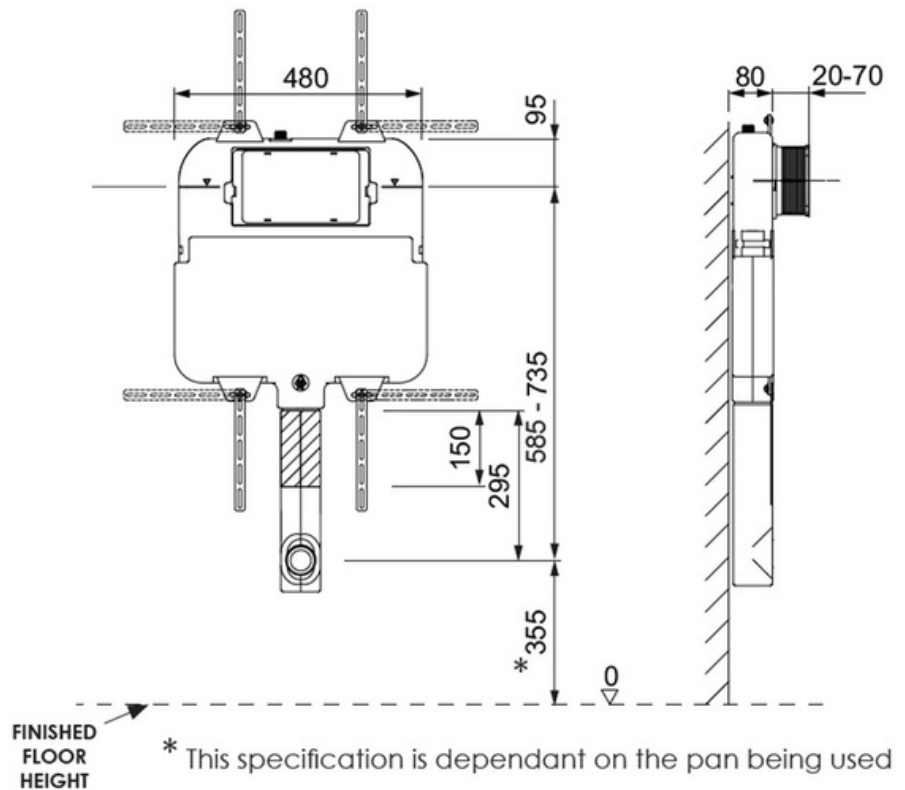
### Recommended Products

- S0420101S4B

### Additional Notes

- Suits Kubic and Round and Edge Flush Plates
- Kubic and Round Flush Plates available in many popular colours

## Technical Specification



\*Please visit [argentaust.com.au/warranty](http://argentaust.com.au/warranty) to view the full warranty

*Note: All dimensions are in millimetres and are subject to normal manufacturing variations. Always use the physical product measurements for cut-outs and rough-ins as the technical details shown may differ from the actual product. Use acetic cured silicone sealant. Do not use epoxy type adhesives. Clean with damp cloth. Do not use abrasive cleaners, liquids or pastes.*

