

Peak Oval Wall Mixer LF

PRODUCT IMAGE



PRODUCT DETAILS

Code: PBR3001LF (Chrome)
Benton's Code: 33950066Z

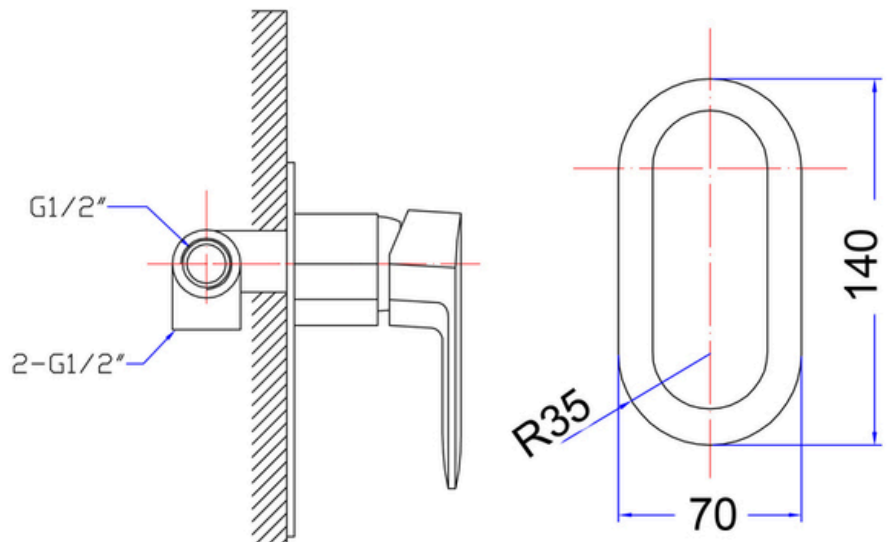
Brand: ACL Company
Range: Peak Oval
Warranty: 15 Years
WELS: N/A



ADDITIONAL FEATURES

- Working pressure: 150-500kpa
- Operating temperature: 1°C to 70°C
- 35mm Cartridge
- Chrome

SPECIFICATION



CARE & MAINTENANCE

- Do not use harsh detergents or products that contain chloride & halides.
- Do not use abrasive, cream or citrus based cleaners or hydrochloric acid.
- Surface should be cleaned only with a mild detergent that must be rinsed off.
- It is suggested to only clean with warm water and a soft cloth.
- Damage caused by the wrong cleaning methods used will void warranty.