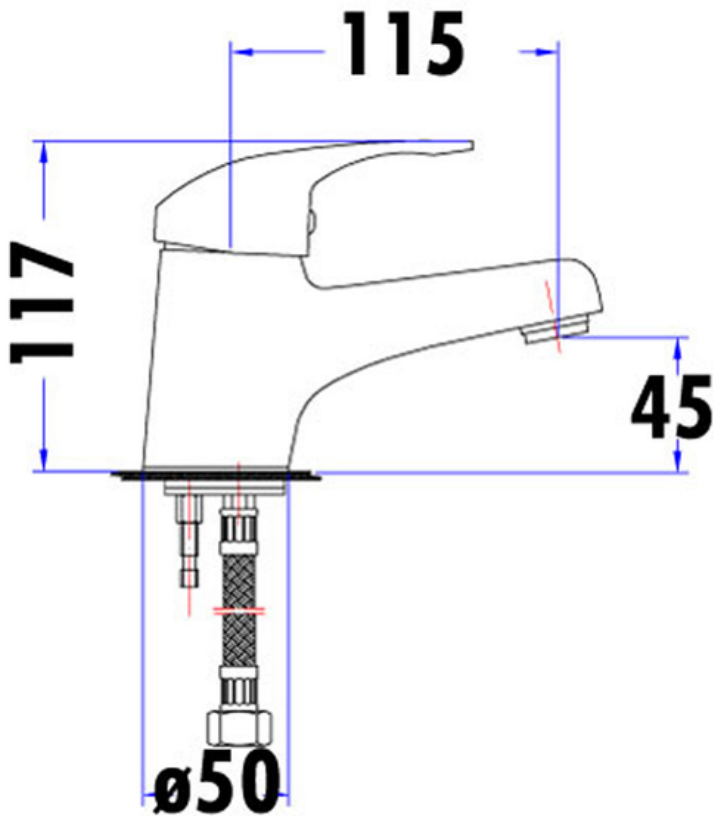


Benton's P
Specify

proud member of
Plumbing
Plus

P&P



Peak Project Basin Mixer

PM2001SW (33950000)

Information

- Chrome
- Working pressure: 150-500kpa
- Operating temperature: 1°C to 70°C
- WELS: 5 Star 5.5L/min (T37853)
- 8 Year Warranty

Maintenance & Care

- Do not use harsh detergents or products that contain chloride & halides.
- Do not use abrasive, cream or citrus based cleaners or hydrochloric acid.
- Surface should be cleaned only with a mild detergent that must be rinsed off.
- It is suggested to only clean with warm water and a soft cloth.
- Damage caused by the wrong cleaning methods used will void warranty.

Please visit <https://www.aclco.com.au/warranty.html> to view the full warranty