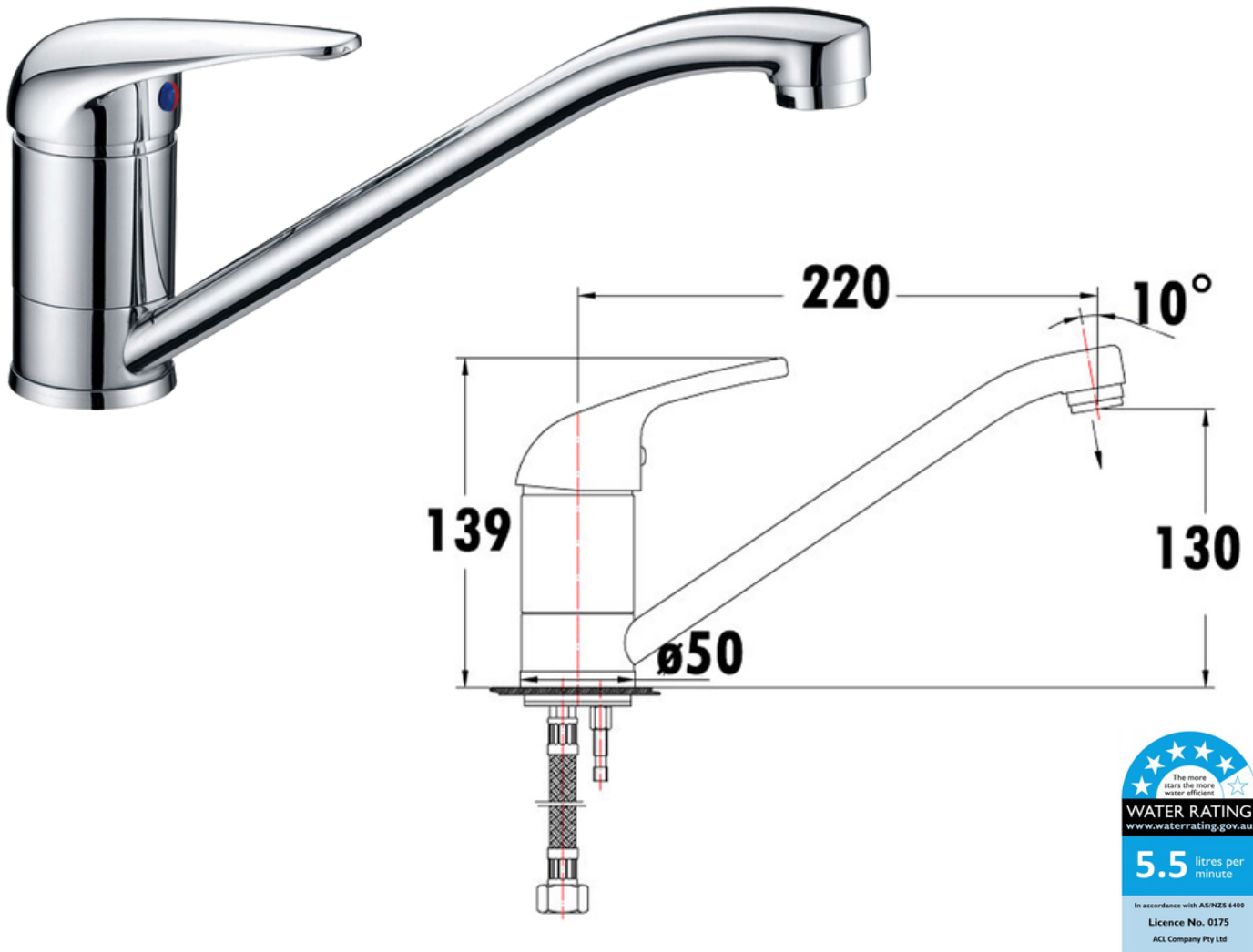


**Benton's** P  
Specify

proud member of  
Plumbing  
Plus

P&P



## Peak Project Sink Mixer

PM1001SW (33950004)

### Information

- Chrome
- Working pressure: 150-500kpa
- Operating temperature: 1°C to 70°C
- WELS: 5 Star 5.5L/min (T37873)
- 8 Year Warranty

### Maintenance & Care

- Do not use harsh detergents or products that contain chloride & halides.
- Do not use abrasive, cream or citrus based cleaners or hydrochloric acid.
- Surface should be cleaned only with a mild detergent that must be rinsed off.
- It is suggested to only clean with warm water and a soft cloth.
- Damage caused by the wrong cleaning methods used will void warranty.

Please visit <https://www.aclo.com.au/warranty.html> to view the full warranty