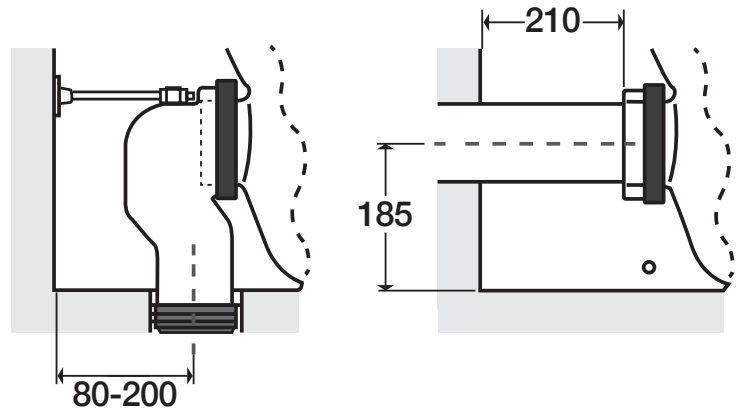
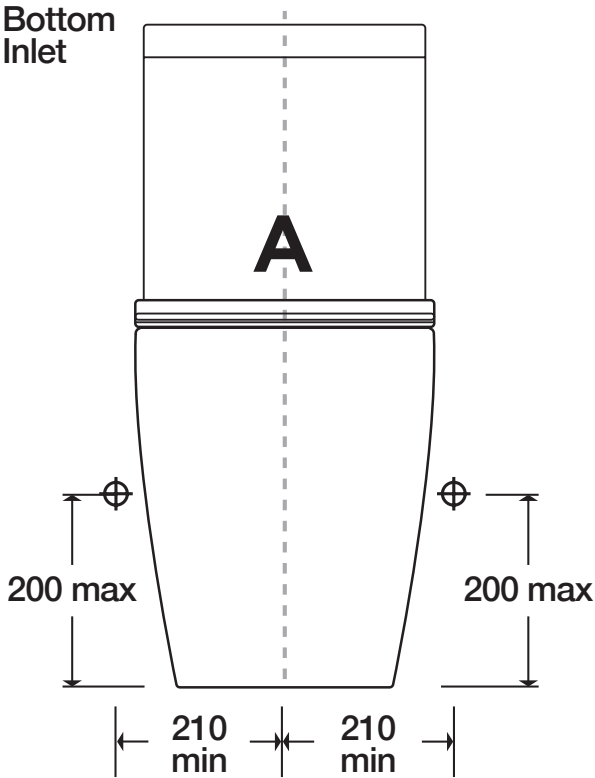


Installation Guide

Synergii Toilet Suite

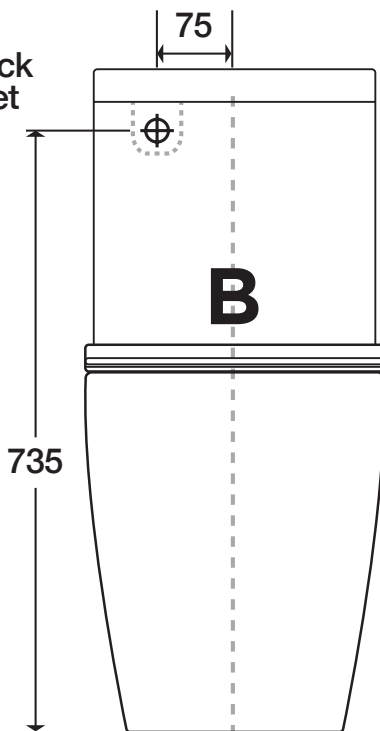
SY04117 (Slim Seat) and SY04127 (Standard Seat)
SY04118 (Slim Seat) and SY04128 (Standard Seat)

Bottom
Inlet



Optional elbow for set out 160-220mm (JT34)

Back
Inlet



This Synergii Bottom Inlet Toilet Suite is designed for a left or right hand bottom inlet installation. A 1/2" male thread will need to be plumbed in at the location shown.

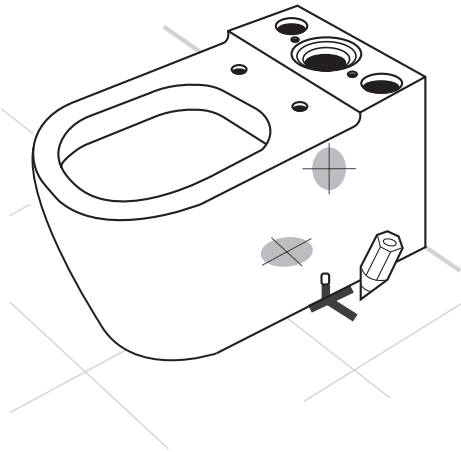
The standard set-out for a S-Trap is 80-200mm.

All distances are from final floor or finished wall.

The installer will need to supply the stop tap.
For bottom inlet the installer will also need to supply the flexible hose for connection between the inlet and the stop tap.

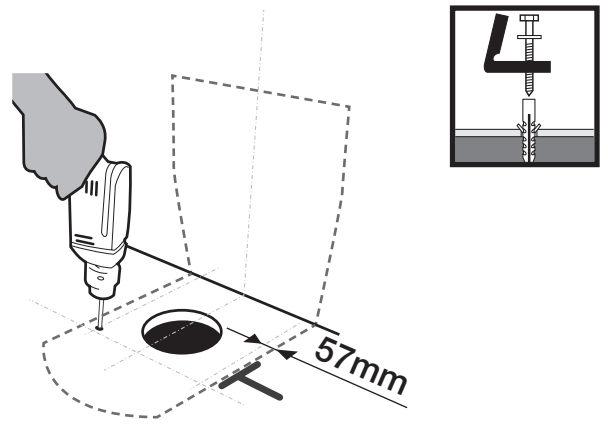
A 500mm length flexible hose will suit most installations but the required length is dependent on the position of the stop tap.

1



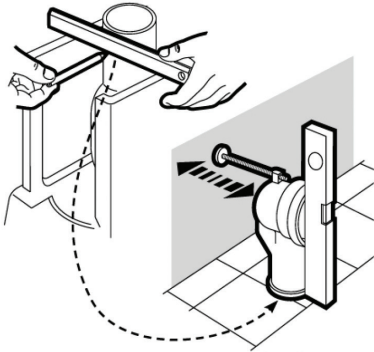
Place the pan in position ensuring it is centred in accordance with the centre line of the outlet. Mark location of pan fixing bolts.

2



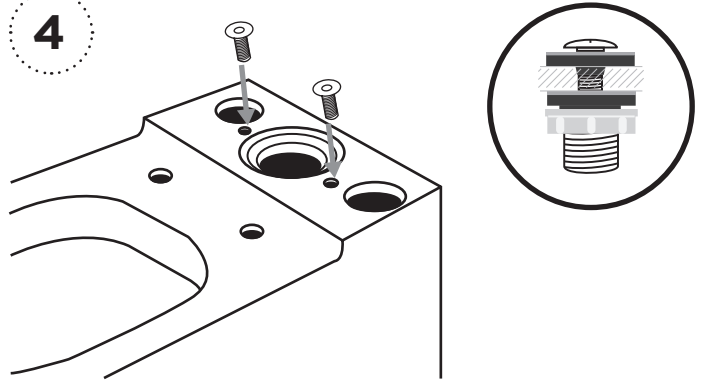
Remove pan, drill holes for fixing bolts and attach brackets.

3



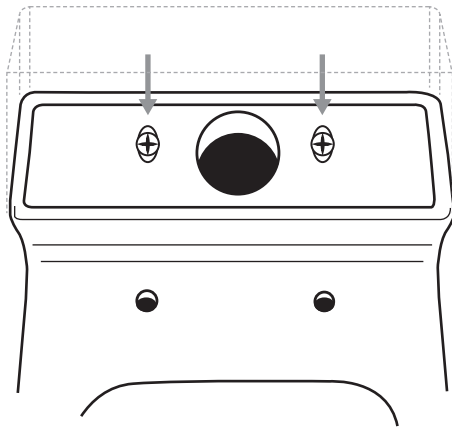
For **S Trap installation**, cut horizontal pipe to required length and fit seal. Attach wall fixing kit to elbow, push elbow into the pan collar and adjust to correct height. Fix to wall and adjust to ensure the elbow is vertical.

4



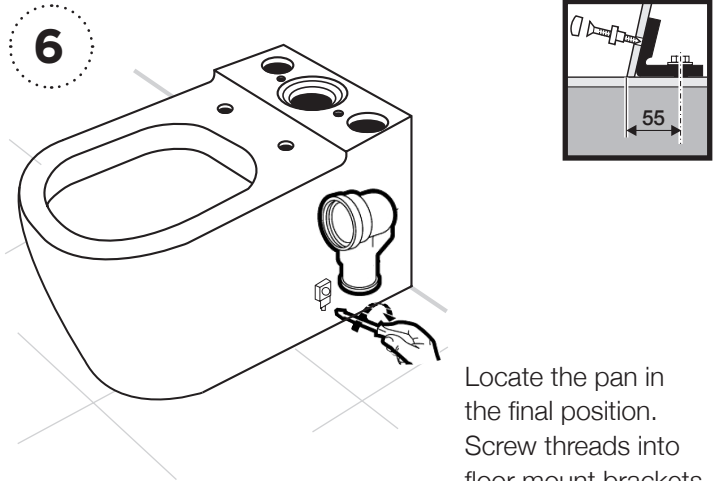
Attach pan bolts, into holes, as shown.

5



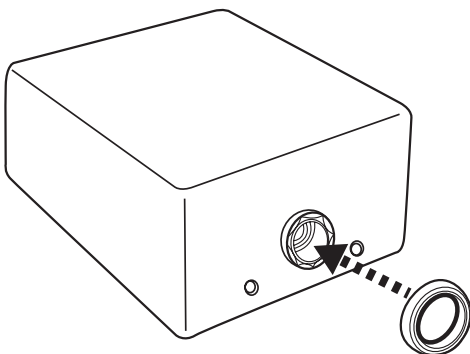
Ensure screws are centred when the cistern is placed on the pan.

6



Locate the pan in the final position. Screw threads into floor mount brackets.

7

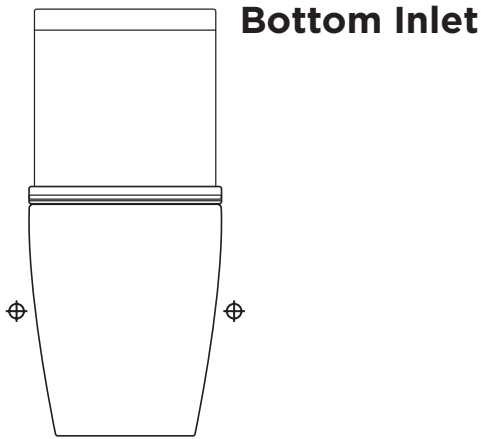


Fit outlet seal to bottom of outlet mechanism. **Do not place outlet seal on pan and then sit cistern on top!**

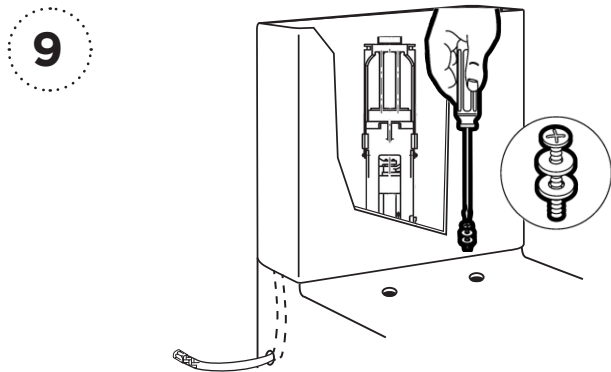
NOTE:

If you have a **bottom inlet** cistern, follow instructions on the top of page 3 (A).

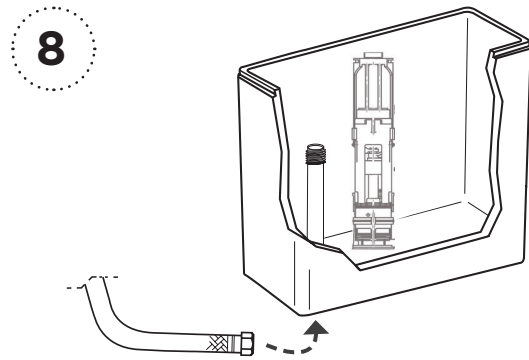
If you have a **back inlet** cistern, follow instructions on the bottom of page 3 (B).



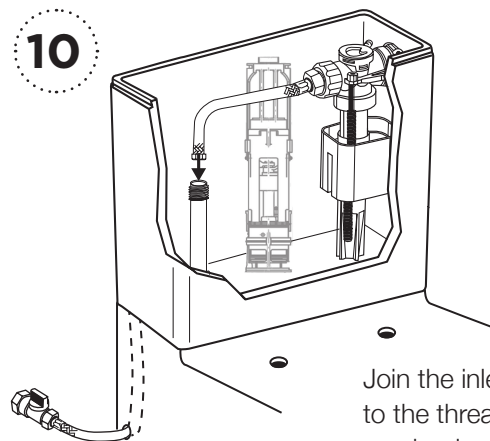
Bottom Inlet



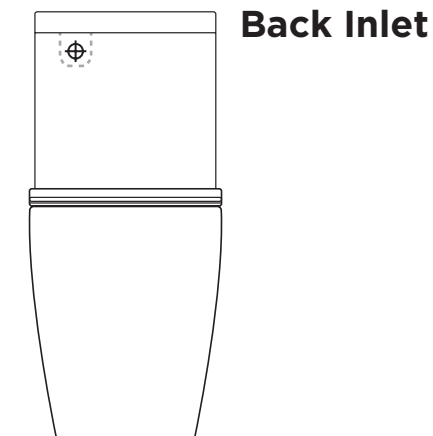
Feed hose through hole in pan and locate the cistern onto the pan. Screw down **tightly** to ensure a seal between the bolt head and the bottom of the cistern.



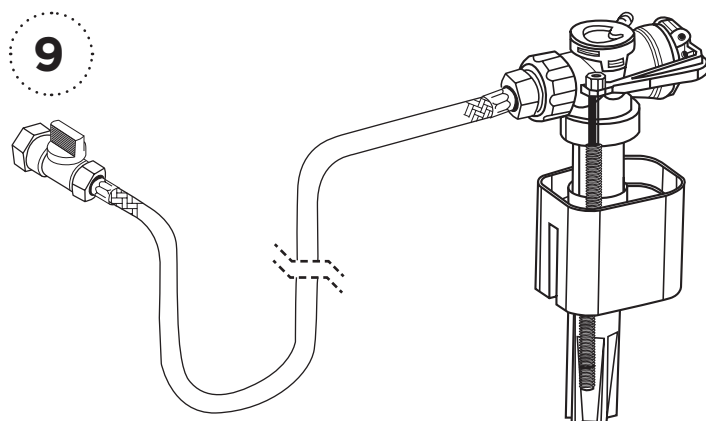
Connect flexible hose (not supplied) to inlet pipe at bottom of cistern.



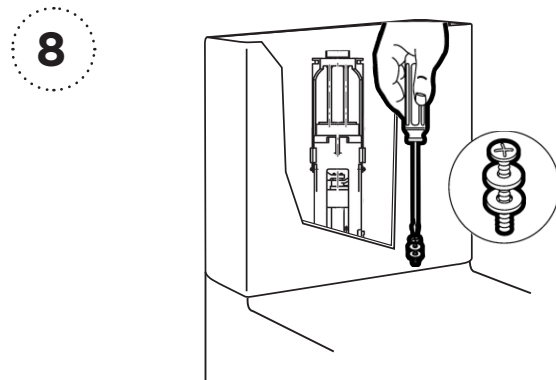
Join the inlet mechanism hose to the thread and replace inlet mechanism. Connect flexible hose to stop tap.



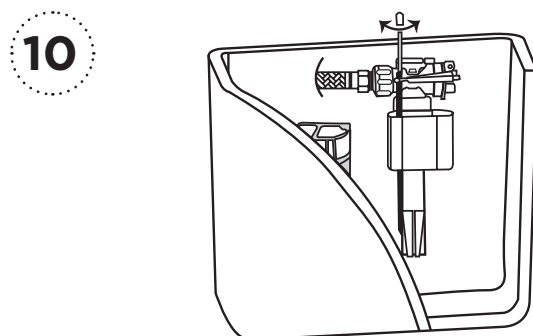
Back Inlet



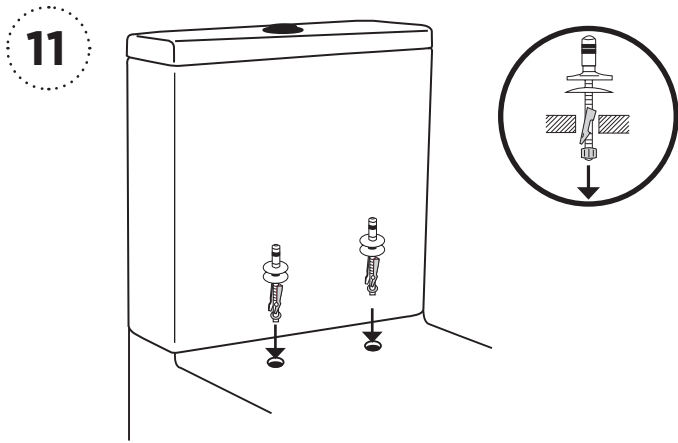
Screw inlet hose onto stop tap. Place inlet valve into position within the cistern.



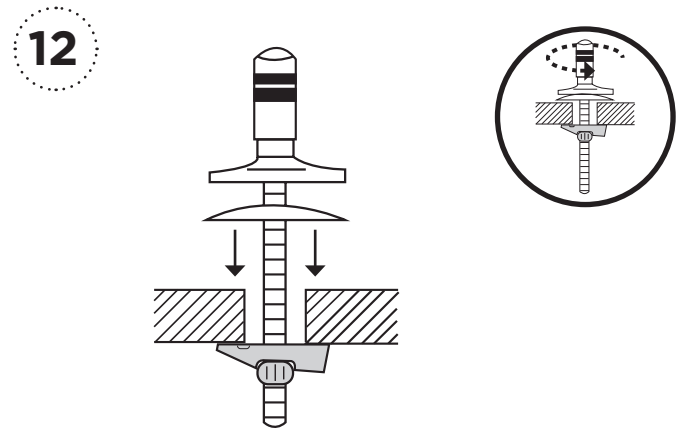
Remove inlet mechanism. Locate the cistern onto the pan. Screw down **tightly** to ensure a seal between the bolt head and the bottom of the cistern.



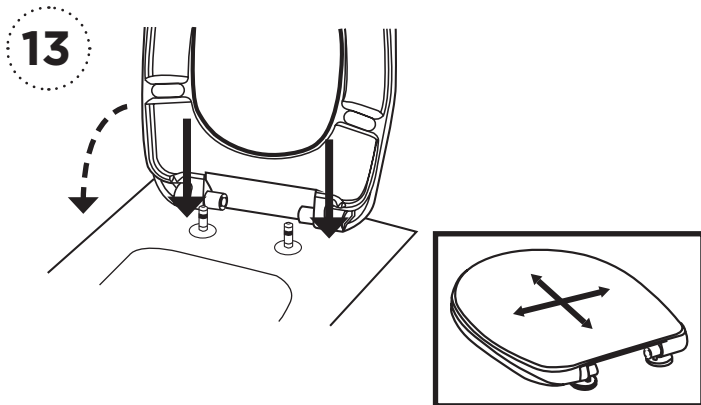
Check if the inlet valve is under normal operation and adjust the inlet valve float adjustment thumbscrew clockwise (for higher float & water level) or anticlockwise (for lower float & water level).



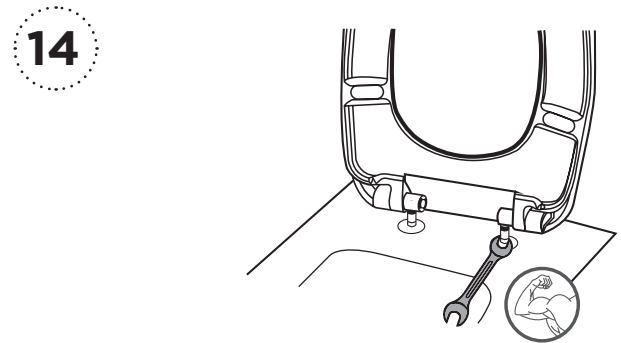
11
Seat Install: Insert fixing bolts into holes in the pan.



12
Push the plastic and metal washers as far down the screw as possible, then finger tighten.



13
Push seat onto the posts and close lid. Move the seat around until it is square with the pan.



14
Once you have positioned the seat in the desired position, open the lid and with an **8mm spanner**, tighten the posts until the seat is locked in place.

Please leave the instructions with the owner.