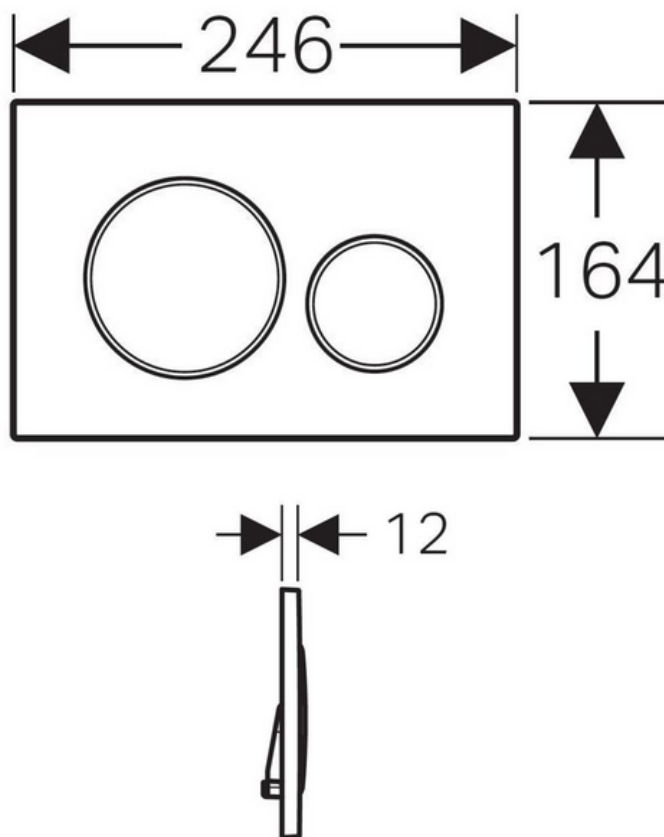


Geberit Sigma20 actuator plate for dual flush



Characteristics

- Front actuation

Application purposes

- For flush actuation with Sigma concealed cisterns
- Characteristics
- Front actuation

Technical Data

- Actuation force < 20 N

Scope of delivery

- Mounting frame
- 2 actuator rods
- 2 distance bolts
- Sound-absorbing actuator rods, tool-free fast adjustment

Art. no.	Colour / surface	Material designation	B	H	T
115.882.KH.1	Plate and buttons: bright chrome-plated Design rings: matt chrome-plated	Plastic	24.6 cm	16.4 cm	1.2 cm
115.882.KJ.1	Plate and buttons: white Design rings: bright chrome-plated	Plastic	24.6 cm	16.4 cm	1.2 cm
115.882.KK.1	Plate and buttons: white Design rings: gold-plated	Plastic	24.6 cm	16.4 cm	1.2 cm
115.882.KM.1	Plate and buttons: black Design rings: bright chrome-plated	Plastic	24.6 cm	16.4 cm	1.2 cm
115.882.SN.1	Plate and buttons: brushed, easy-to-clean coated Design rings: polished	Stainless steel	24.6 cm	16.4 cm	1.2 cm
115.882.JQ.1	Plate and buttons: matt chrome-coated, easy-to-clean coated Design rings: bright chrome-plated	Plastic	24.6 cm	16.4 cm	1.2 cm
115.882.11.1	Plate and buttons: white Design rings: matt white	Plastic	24.6 cm	16.4 cm	1.2 cm
115.882.01.1	Plate and buttons: white matt coated, easy-to-clean coated Design rings: white	Plastic	24.6 cm	16.4 cm	1.2 cm
115.882.16.1	Plate and buttons: black matt coated, easy-to-clean coated Design rings: black	Plastic	24.6 cm	16.4 cm	1.2 cm