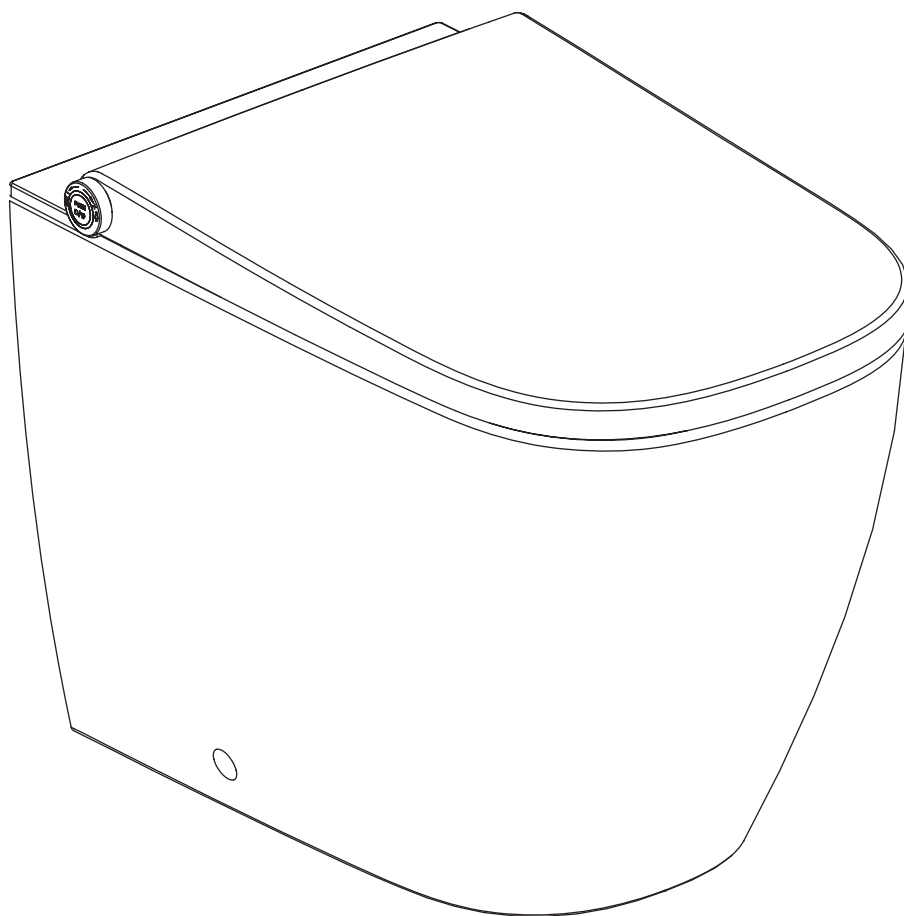


# Neion Intelligent Toilet

Installation Manual  
NE041250 & NE041260



ARCISAN

# Contents

- 03 Safety and Installation precautions
- 04 Electrical Requirements/Installation
- 05 Bill of material
- 06 Tools required
- 07 Installation - Set-outs
- 08 Installation - Pan and seat
- 11 Remote Installation



The supplier shall not be liable for any loss arising from the failure to comply with the following regulations.

1. This equipment is “I” type electrical appliance, it must be connected to the earth system.
2. This equipment is an electric appliance and should not be installed in a place where it can easily be splashed with water or exposed to high temperatures. Please install an exhaust fan or ventilation opening within the area to ensure adequate ventilation.
3. If the supply cord is damaged, it must be replaced by the manufacturer, service agent, or similarly qualified person in order to avoid hazards.

<b>ARCISAN</b>
Model: NE041250 & NE041260 Power: 220-240VAC, 50Hz, 950W Water Pressure: 250 kpa - 500kPa Waterproof Rating: IPX4 Max seat weight: 160kg

<b>Technical information</b>	
Power Supply	AC220 - 240, 50-60Hz
Power wattage	950W
IP Rating	IPX4
<b>Note: All electrical work connected to this product must be installed by a qualified person, in accordance to AS/NZS 3000 Wiring Rules.</b>	
Certification	
WaterMark	AS1172.1 / AS1172.2 Certificate no: WM-022911
WELS	4 star   3 / 4.5L
RCM	

## Safety Precautions

Please read this manual carefully before using and installing the product and keep it for future reference. Negligence or incorrect use of this product can lead to serious injury.

The Neion intelligent toilet should not be used by individuals (including children) who lack the experience or knowledge to use it, unless they are monitored by a responsible person or receive instructions on how to use it for their own safety. Children should not play with the device.

When using electronic devices, basic safety measures should be followed. Please see more specifics listed below.

### Explanation of Symbols



DANGER

Refers to a potentially dangerous situation that may result in serious injury or death.



NOTICE

Refers to a potentially dangerous situation that may cause injury or property loss.



DO NOT

Refers to DO NOT perform actions.



MUST BE ADHERED

Refers to adhere to the rules.

---

## Installation Precautions

This product should only be installed by a qualified person and with provided components. Check the installation manual for more installation particulars.



MUST BE ADHERED

Follow the below precautions prior to installation:

1. Always connect the Neion Intelligent toilet to domestic cold water mains.
2. Rain water and gray water is not suitable to operate the Neion Intelligent toilet. This should only be operated with normal drinking water.
3. Flush water outlet pipe before connecting to any fittings.
4. When installing the water filter, ensure it is installed in its correct position and tightened.
5. The recommended water supply pressure of 250kpa to 500kpa. Operate equipment within the recommended water pressure.
6. Ensure the product is correctly earthed to ground.
7. This product installation must comply to AS/NZS 3500.
8. Please check with your local council to ensure that all local council requirements are adhered to.

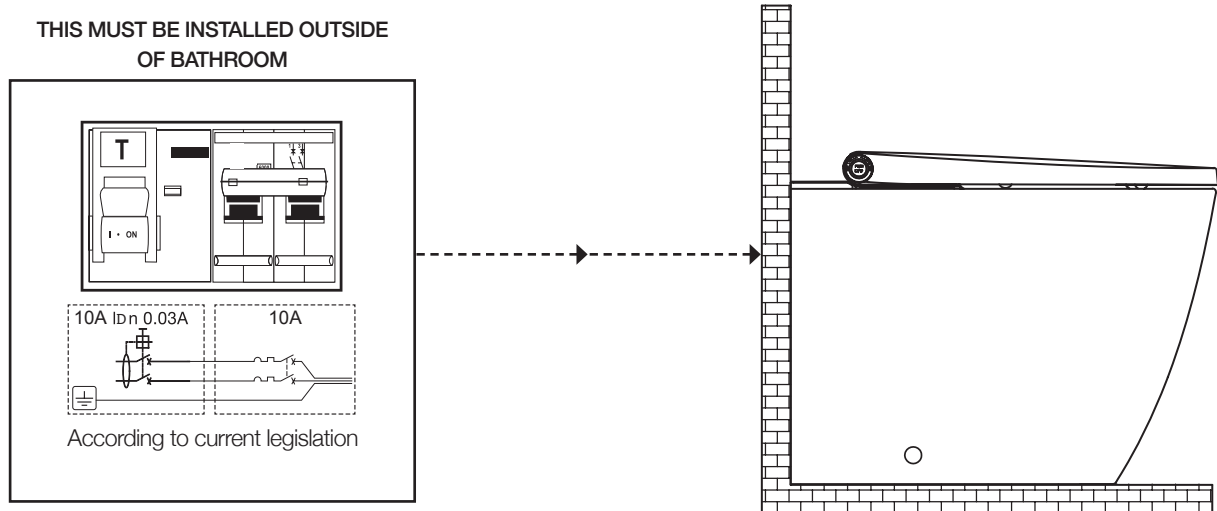
**This product complies to AS/NZS3500.1:2018 therefore a back flow prevention device (ie. RPZ valve) is not required.**

# Electrical Requirements



MUST BE ADHERED

1. The electrical components of the Neion Intelligent Toilet must be protected by a 10A RCD and a 10A magnothermic switch. Both switches MUST be placed outside of the bathroom.
2. A fixed power connection must be connected by a dedicated flexible power cable consisting of 3 wires (active, neutral and earth) of a least 1mm<sup>2</sup>. The connection must be done inside an IPX4 or better junction box. If it is necessary to replace the power cable, this must be completed by a qualified person.



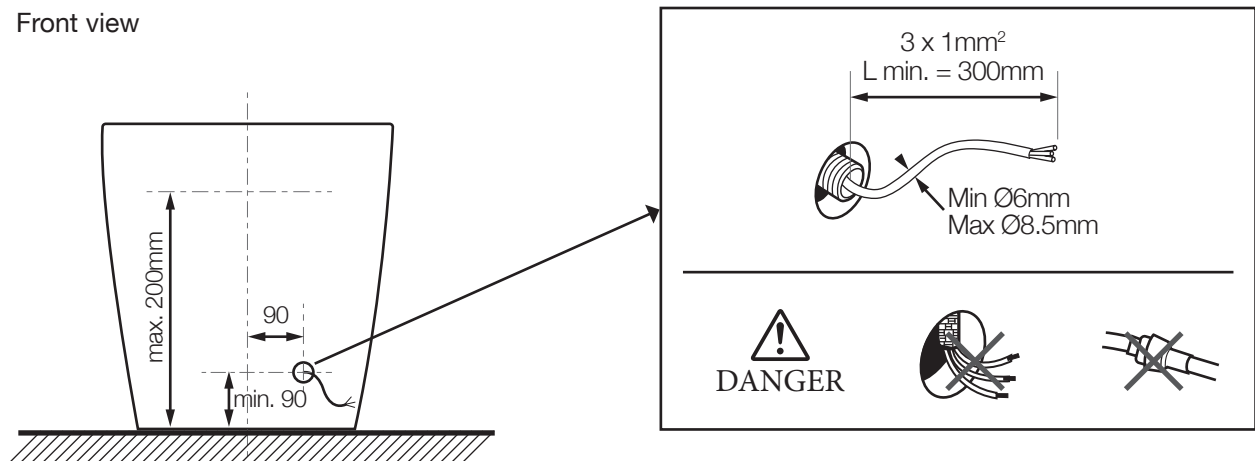
NOTE: Any electrical work conducted on this product must be installed by a qualified person in accordance with AS/NZ 3000 Wiring Rules.

Please consult with a qualified electrician to confirm an appropriate installation location.

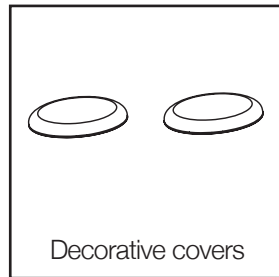
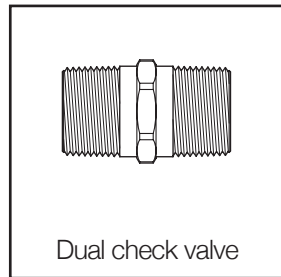
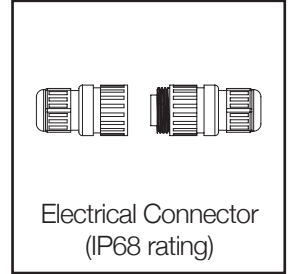
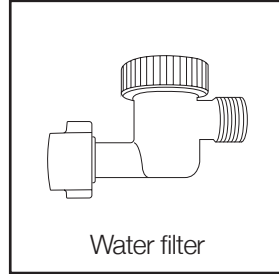
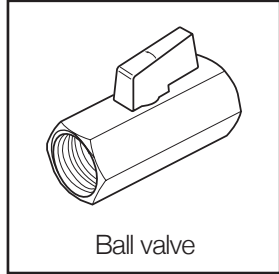
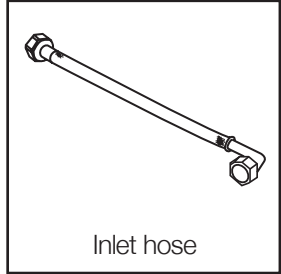
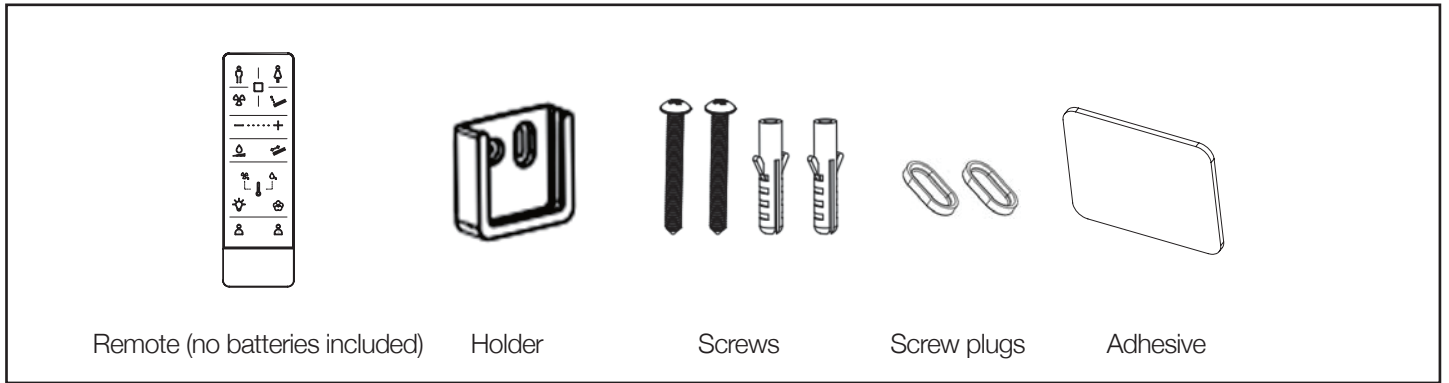
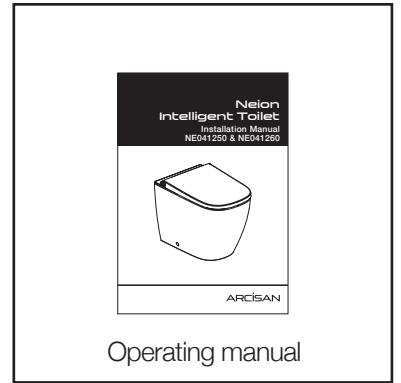
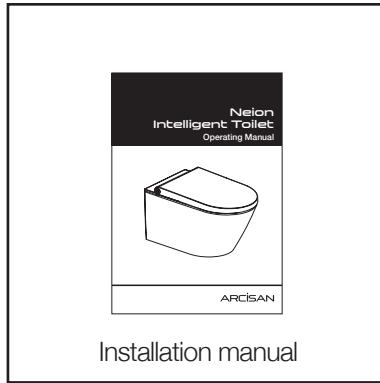
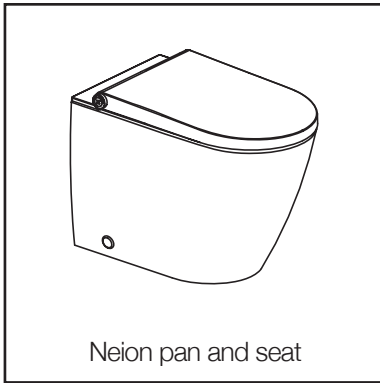
No additional electrical equipment should be fitted inside the WC.

This product (IPX4) shall not be exposed to water jets for cleaning purposes.

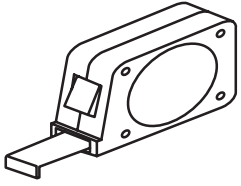
Front view



# Bill of materials



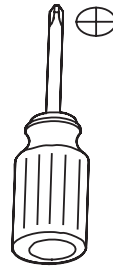
## Tools required



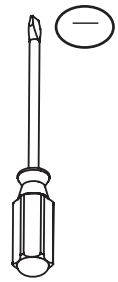
Tape measure



Marker



Phillips head screwdriver



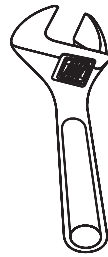
Flat head screwdriver



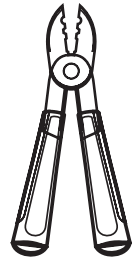
Knife



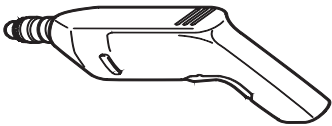
File



Adjustable wrench



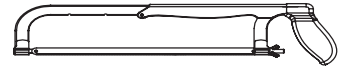
Wire stripper



Drill



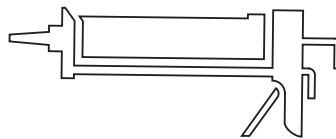
Drill bit 12mm diameter



Hacksaw



Ruler



Sealant

## Installation - Set-outs

Before installing the pan make sure water outlet and power has been installed in the correct area.



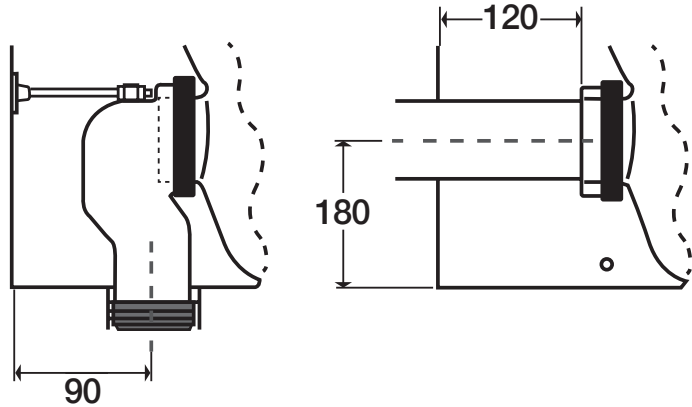
These operations should be performed by qualified service personnel.

### Waste outlet

The standard set out for a S-Trap is 90mm.

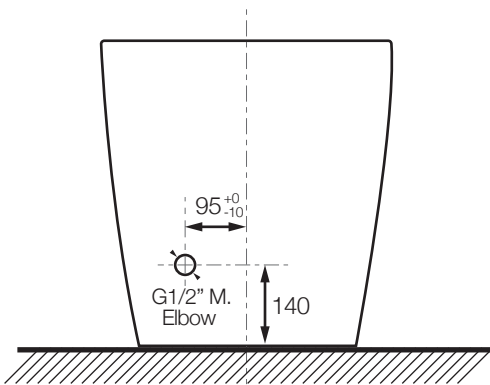
All distances are from final floor or finished wall.

**This pan is designed to be used with Arcisan in-wall cistern AR04430.**



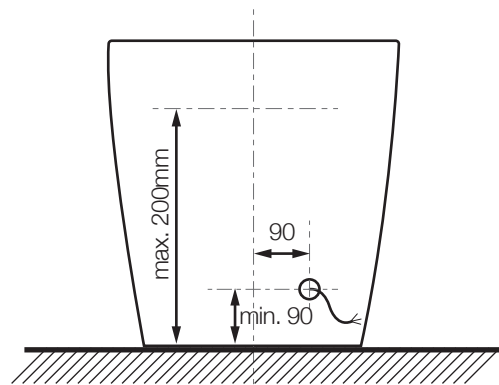
### Water inlet

Front view

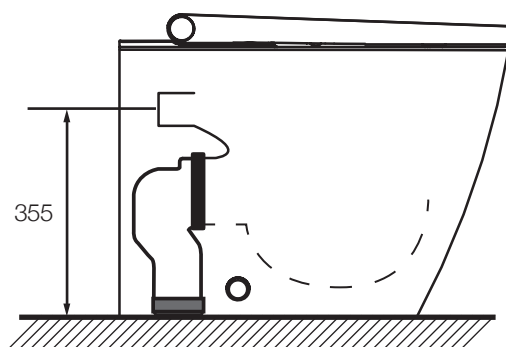


### Electrical Point

Front view



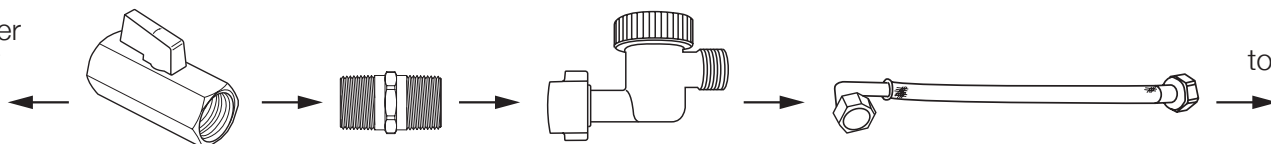
### Flush pipe inlet



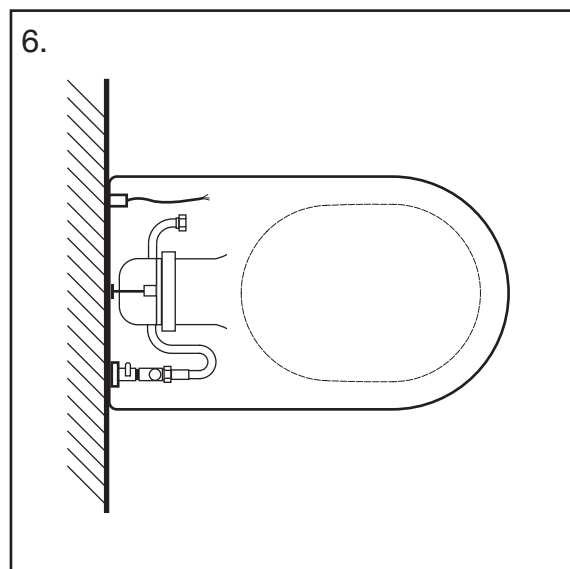
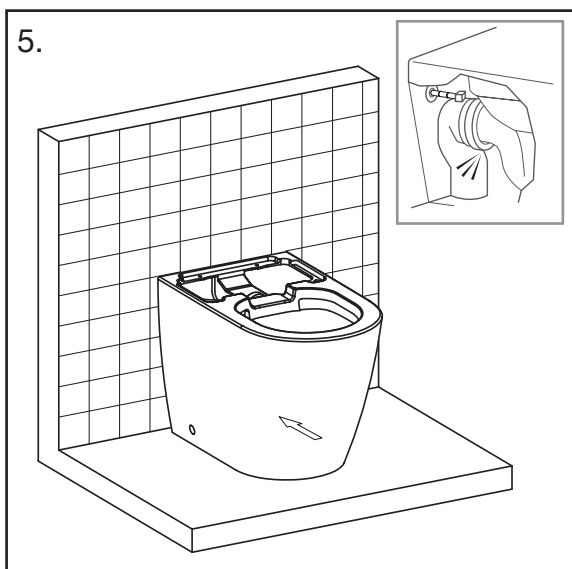
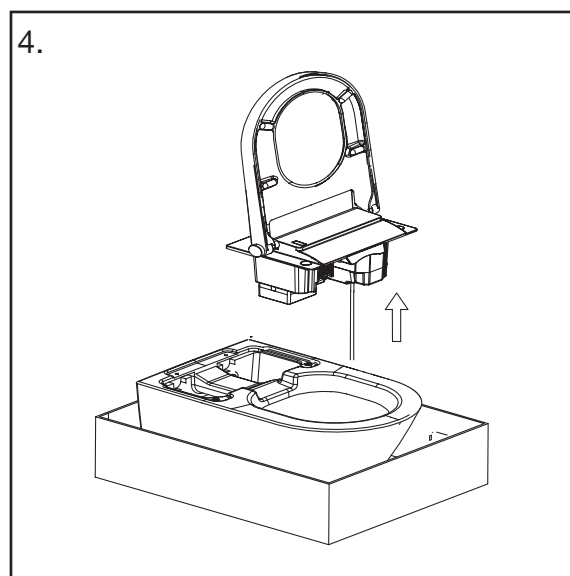
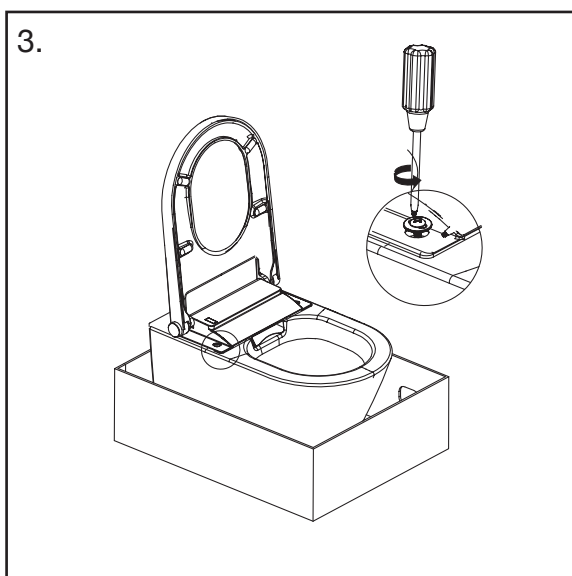
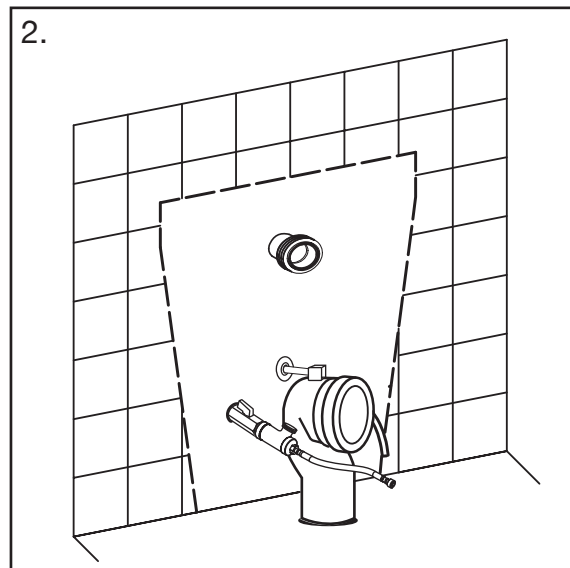
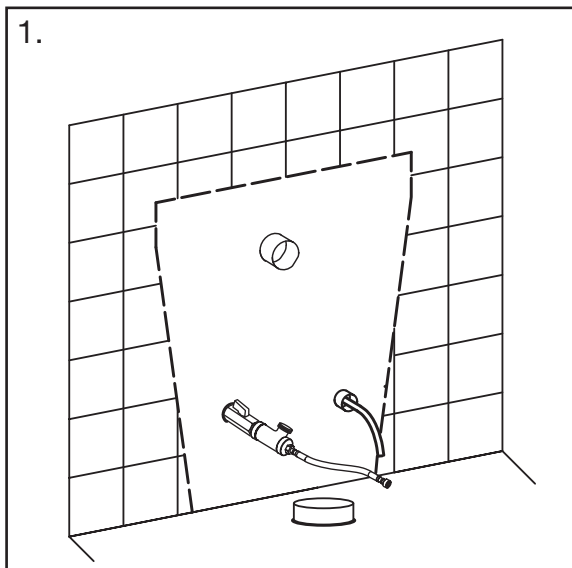
# Installation - Pan & seat

**FLUSH WATER OUTLET PIPE BEFORE CONNECTING TO ANY FITTINGS**

to water supply

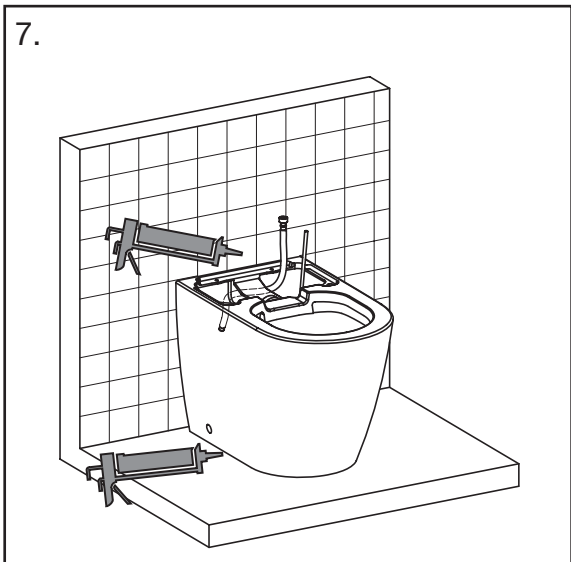


to Neion

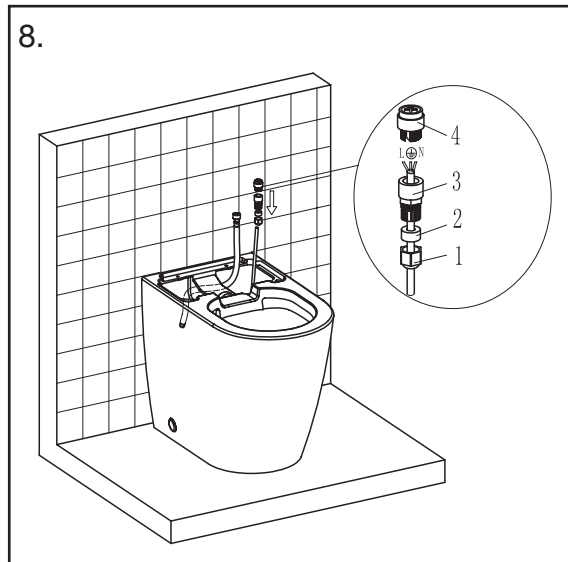




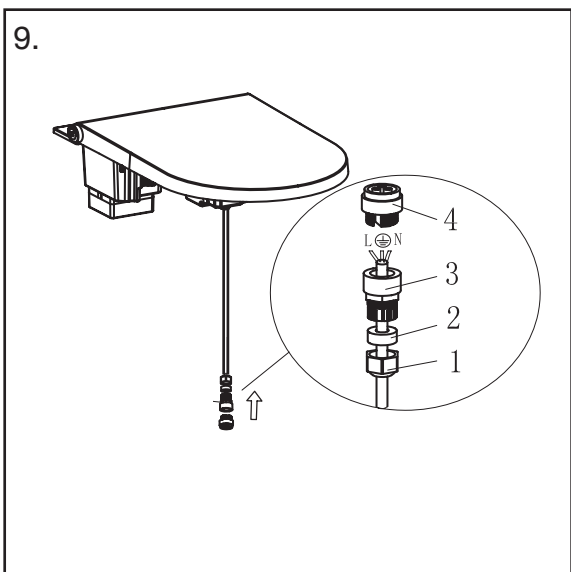
7.



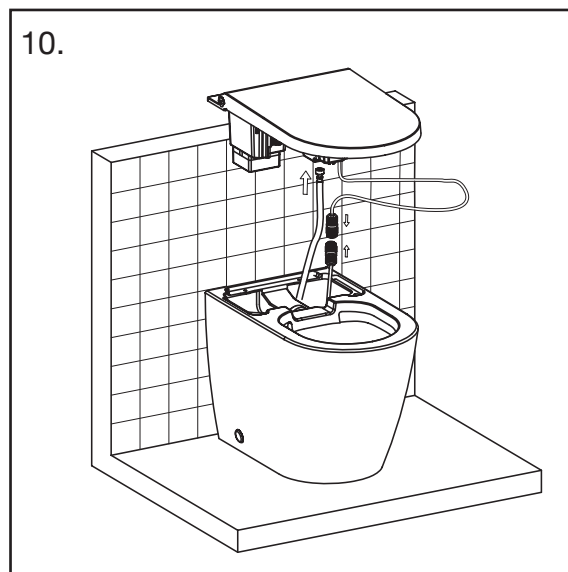
8.



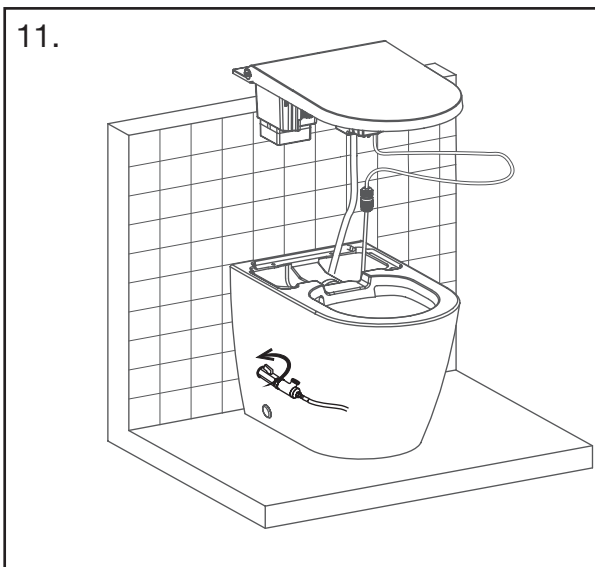
9.



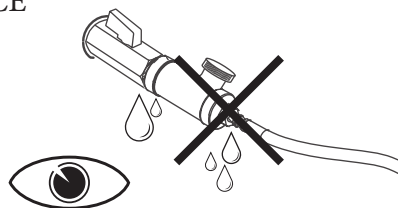
10.



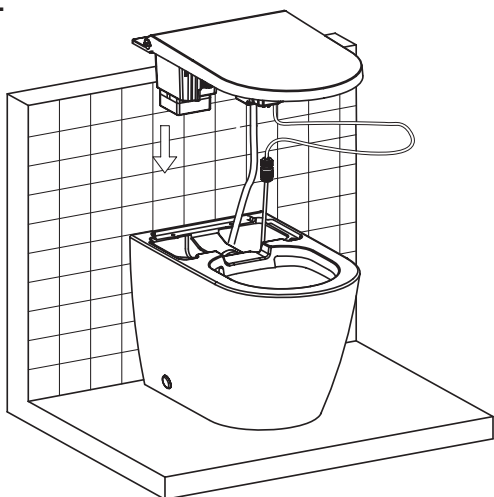
11.



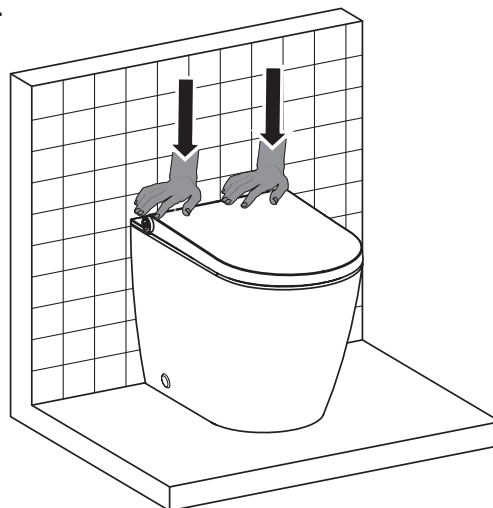
  
NOTICE



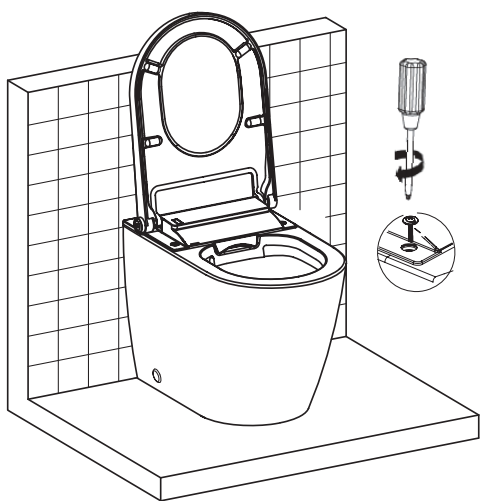
12.



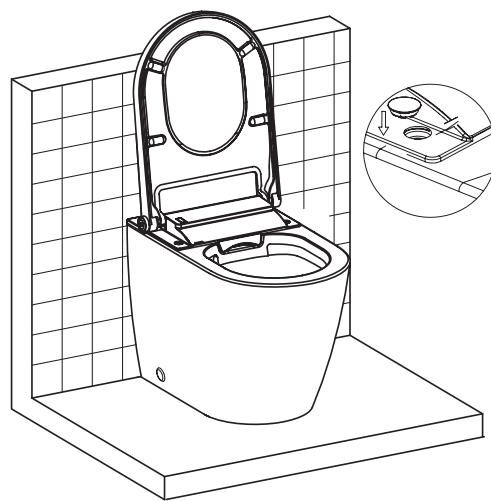
13.



14.



15.



Please leave the instructions with the owner.



# ARCISAN

**Streamline Products Pty Ltd**

21 Compark Circuit, MULGRAVE, Victoria 3170

Ph: 1300 735 352 | [customerservice@streamlineproducts.com.au](mailto:customerservice@streamlineproducts.com.au)

[www.streamlineproducts.com.au](http://www.streamlineproducts.com.au)