

The below products have been shared with you through the Caroma Specify website.

Visit [specify.caroma.com.au](http://specify.caroma.com.au) to find more inspirational and innovative bathroom products.



### CAROMA

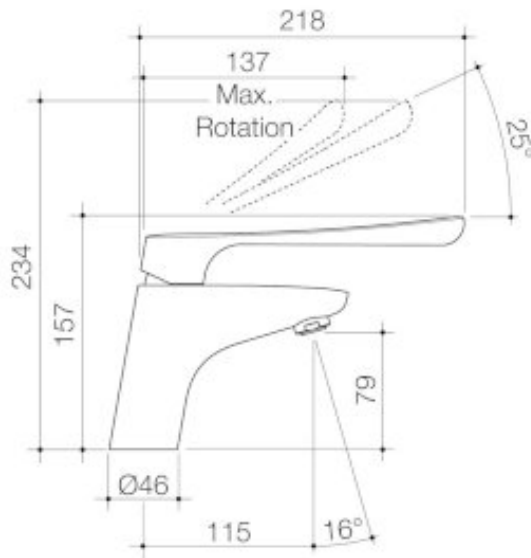
#### CARE PLUS BASIN MIXER CARE HANDLE H/C

The Care Plus Mixer range is ideal for commercial care requirements, with the versatility of adaptable standard and extended lever care handles, in hot/cold or warm/cold combinations; and increased indicator size across all handle options. The range features laminar flow as standard for added infection control against legionella and bacteria in hospitals and aged care facilities.

- Care Plus Optional Care handle with W/C yellow and blue or H/C red and blue indicators available as adaptable option for Care Plus Mixer range - Extended lever handle for care facilities or those with restricted movement - Can be installed to comply to AS1428.1 Design for Access and Mobility requirements - Large colour indicators make the range an ideal solution for aged care applications - Suitable for Care Plus Basin Mixer - Chrome finish

#### PRODUCT CODES

91111C	Care Plus Optional Care Handle W/C	\$78.58*
91106C6AF	Care Plus Basin Mixer Care Handle H/C	\$453.17*



© COPYRIGHT 2014 - CAROMA INDUSTRIES LIMITED



\*All price are recommended retail inclusive of GST in AUD. To be used as a guide only, prices may vary between model variations, and are subject to change without notice. A number of brands and products on this page are the subject of registered trade marks, register designs and/or registered patents. View full disclaimer on [specify.caroma.com.au](http://specify.caroma.com.au)