

The below products have been shared with you through the Caroma Specify website.

Visit specify.caroma.com.au to find more inspirational and innovative bathroom products.



CAROMA

CAROMA BACKREST

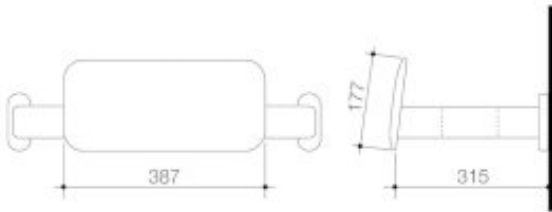
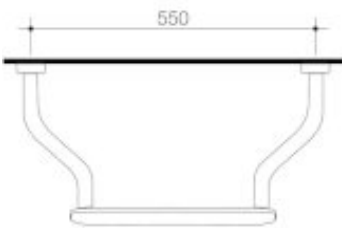
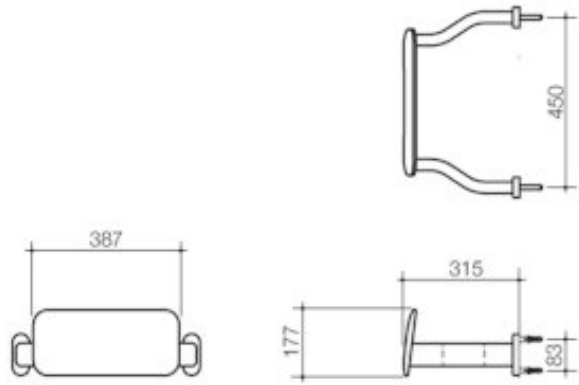
Providing back support whilst toileting, Caroma backrests are built designed to meet AS1428.1 Access and Mobility requirements without compromising on style.

- Meets AS1428.1 Access and Mobility requirements (used in conjunction with single flap seat and raised buttons)
- Includes durable and hygienic stainless steel arms with a white contoured backrest
- Provides support and comfort
- Designed to withstand a force of 110kg in any direction
- Suits installations requiring Caroma Large Access Panel
- NOTE: Suitable support must be included behind the wall for fixing bolts

PRODUCT CODES

687400WH Caroma Backrest Curved Arm - White (with GermGard®)	\$1,082.00*
687400B Caroma Backrest Curved Arm - Black (GermGard®)	\$1,190.00*
687400SW Caroma Backrest Curved Arm - Stainless Steel/White (with GermGard®)	\$1,230.15*
687402SW Caroma Backrest Extra Wide Arms	\$1,228.09*





© COPYRIGHT 2014 - CAROMA INDUSTRIES LIMITED



*All price are recommended retail inclusive of GST in AUD. To be used as a guide only, prices may vary between model variations, and are subject to change without notice. A number of brands and products on this page are the subject of registered trade marks, register designs and/or registered patents. View full disclaimer on specify.caroma.com.au