

The below products have been shared with you through the Caroma Specify website.

Visit [specify.caroma.com.au](http://specify.caroma.com.au) to find more inspirational and innovative bathroom products.



### CAROMA

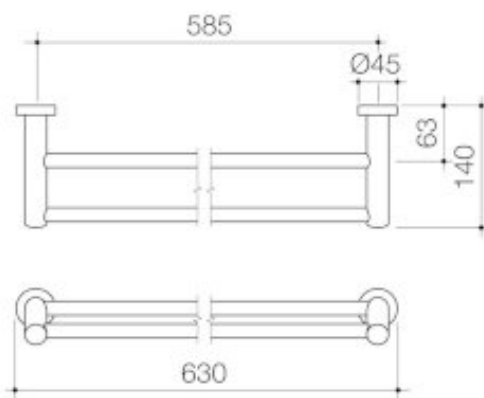
#### COSMO METAL DOUBLE TOWEL RAIL 630MM

Contemporary style doesn't have to mean edges and angles with the Caroma Cosmo Accessory range. Offering a stylish design with smooth, clean lines at a surprisingly economical price, Cosmo Accessories create the perfect finishing touch for any bathroom.

- Smooth clean lines to suit modern bathrooms - Metal construction ensures durability - Dual fixings for added strength - Suitable to be installed in all plastered and tiled bathrooms - Polished chrome finish - Tube diameter is 16mm

#### PRODUCT CODES

306129C Cosmo Metal Double Towel Rail 630mm	\$117.13*
306129B Cosmo Metal Double Towel Rail Black 630mm	\$117.13*



© COPYRIGHT 2014 - CAROMA INDUSTRIES LIMITED



\*All price are recommended retail inclusive of GST in AUD. To be used as a guide only, prices may vary between model variations, and are subject to change without notice. A number of brands and products on this page are the subject of registered trade marks, register designs and/or registered patents. View full disclaimer on [specify.caroma.com.au](http://specify.caroma.com.au)