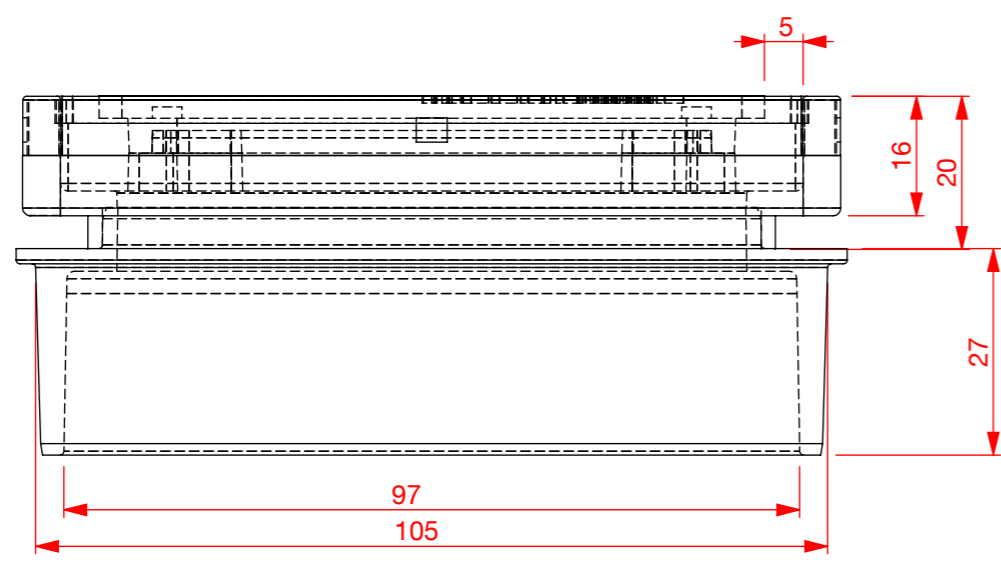
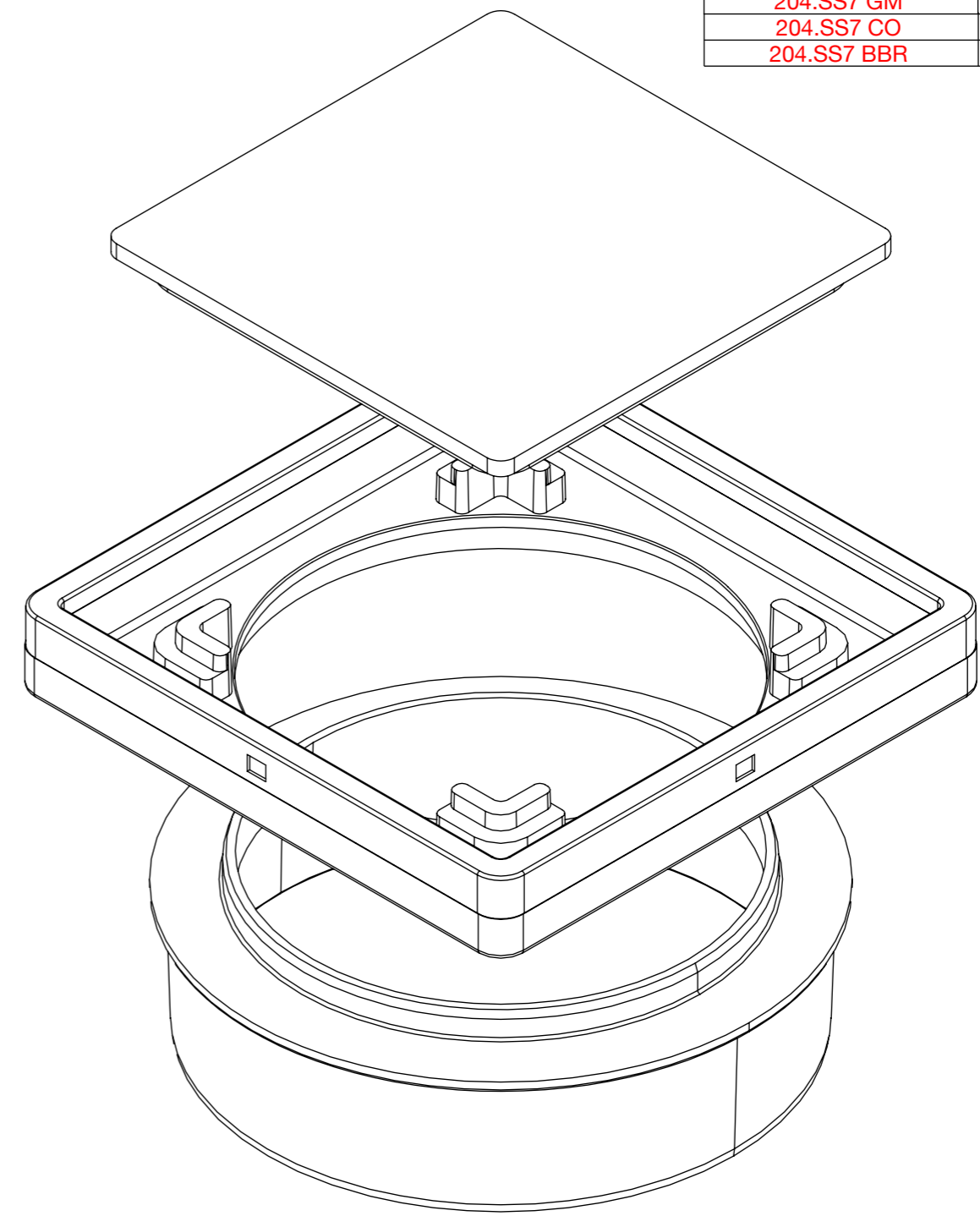
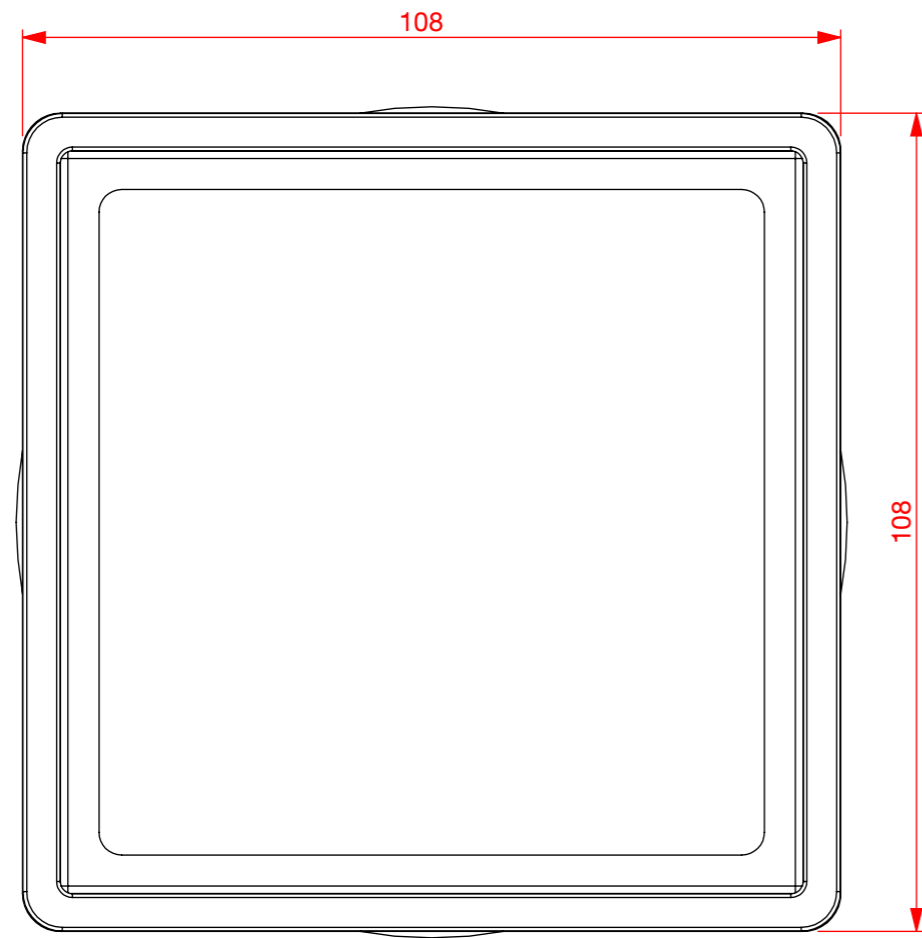


CODE	FINISH
204.100SS7	STAINLESS STEEL
204.SS7 BLK	BLACK
204.SS7 GM	GUNMETAL
204.SS7 CO	COPPER
204.SS7 BBR	BRUSHED BRASS



REVISION	CHANGE	DESCRIPTION	DRAWN	DATE
DO NOT SCALE DRAWING				
REQUESTED	DATE	TITLE		
		100mm ELEGANCE PLATE		
DRAWN	DATE	DRAWING REF NUMBER		
MATERIAL		SCALE (UOS)		
A3	UNITS = MM	SHEET 1 OF 1		

This product drawing is provided for informational purposes only. The drawing is based upon information supplied to Allproof and may not contain the full details required for the contract. We strongly recommend that you obtain appropriate expert advice from engineers, architects and other expert personnel to ensure the accuracy and completeness of the drawing and compliance with local authorities and legislation. Allproof Industries NZ Limited accepts no liability whatsoever for any loss or damage of any kind arising from provision of this drawing to you, including consequential loss whether suffered or incurred by you or another person or entity and whether in contract, tort or otherwise. You indemnify Allproof Industries NZ Limited against any liability that we incur in respect of loss or damage of any kind, including damage to property, death or personal injury, suffered or incurred by any person or entity and whether in contract, tort or otherwise, which arises from provision of this drawing to you, and any reasonable costs, claims, demands and expenses arising out of or in connection with that liability.