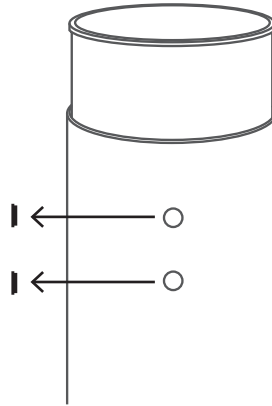
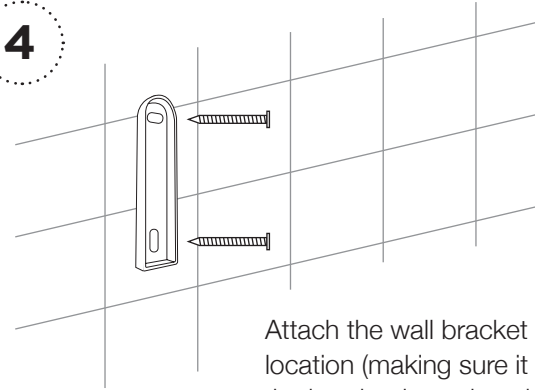


1



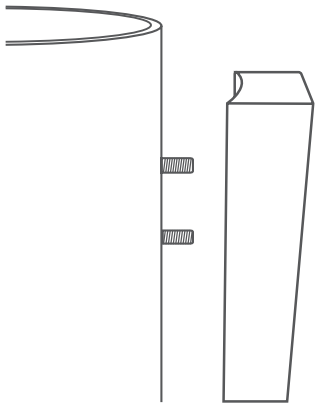
Temporarily remove inner sleeve from the toilet brush holder and pop out the two small plastic caps from holes at the back.

4



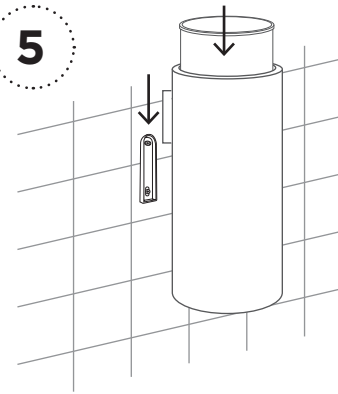
Attach the wall bracket securely to the wall in the desired location (making sure it is straight). Ensure the flat part of the bracket is against the wall.

2



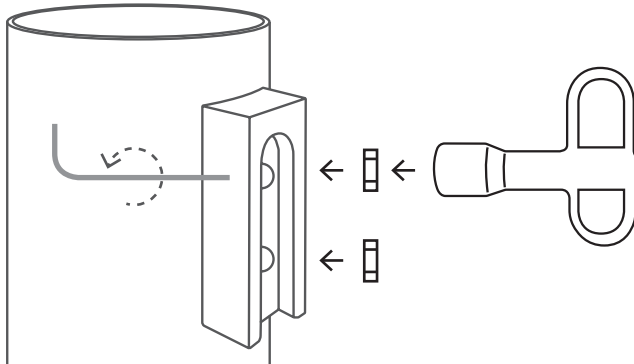
Feed x2 10mm screws into holes with the head of the screw inside of the holder. Locate bracket onto holder.

5



Slide toilet roll holder down onto the bracket. Re-insert inner sleeve and toilet brush.

3



Using the bolt/nut holder tool to hold the nut in place, screw the nut onto the thread. There is an allen key included to tighten.

