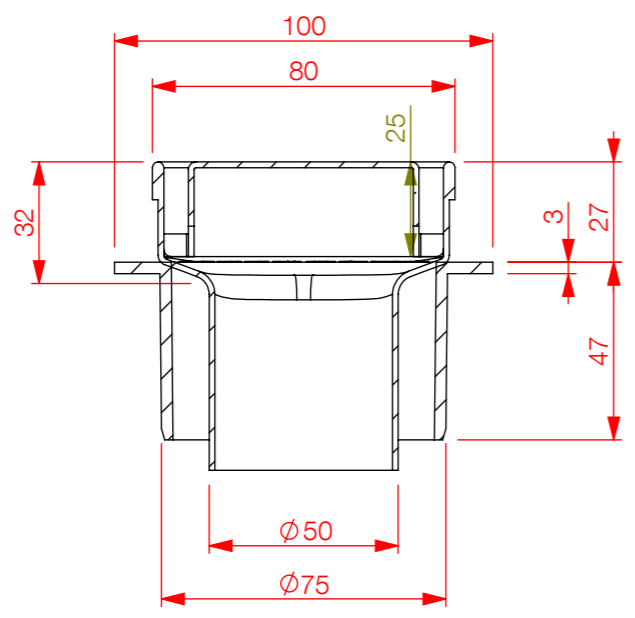
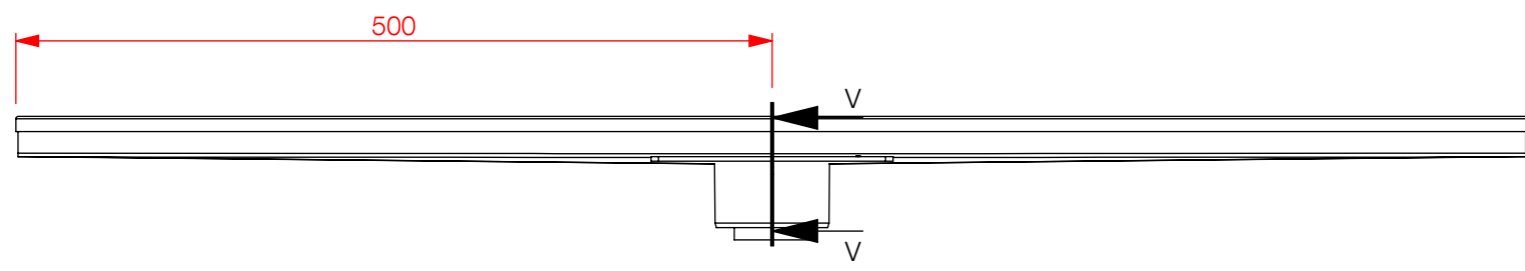
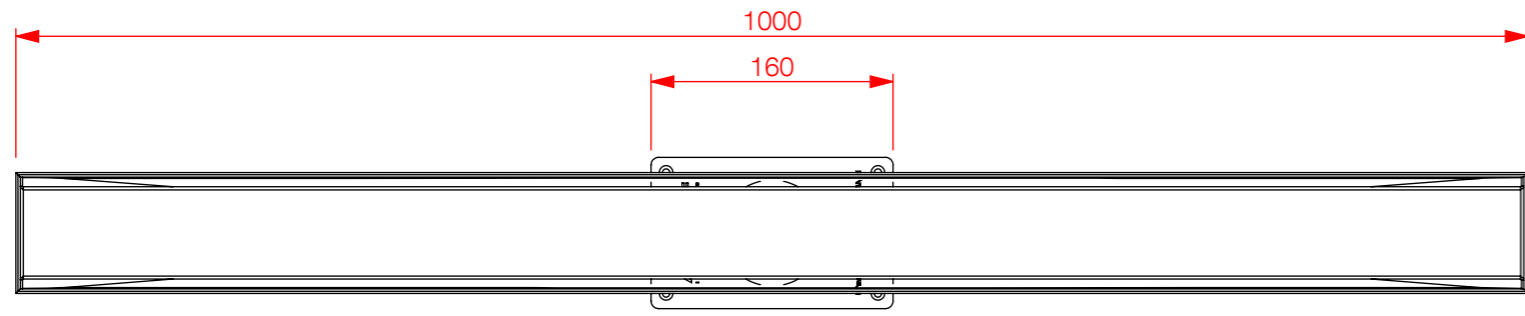
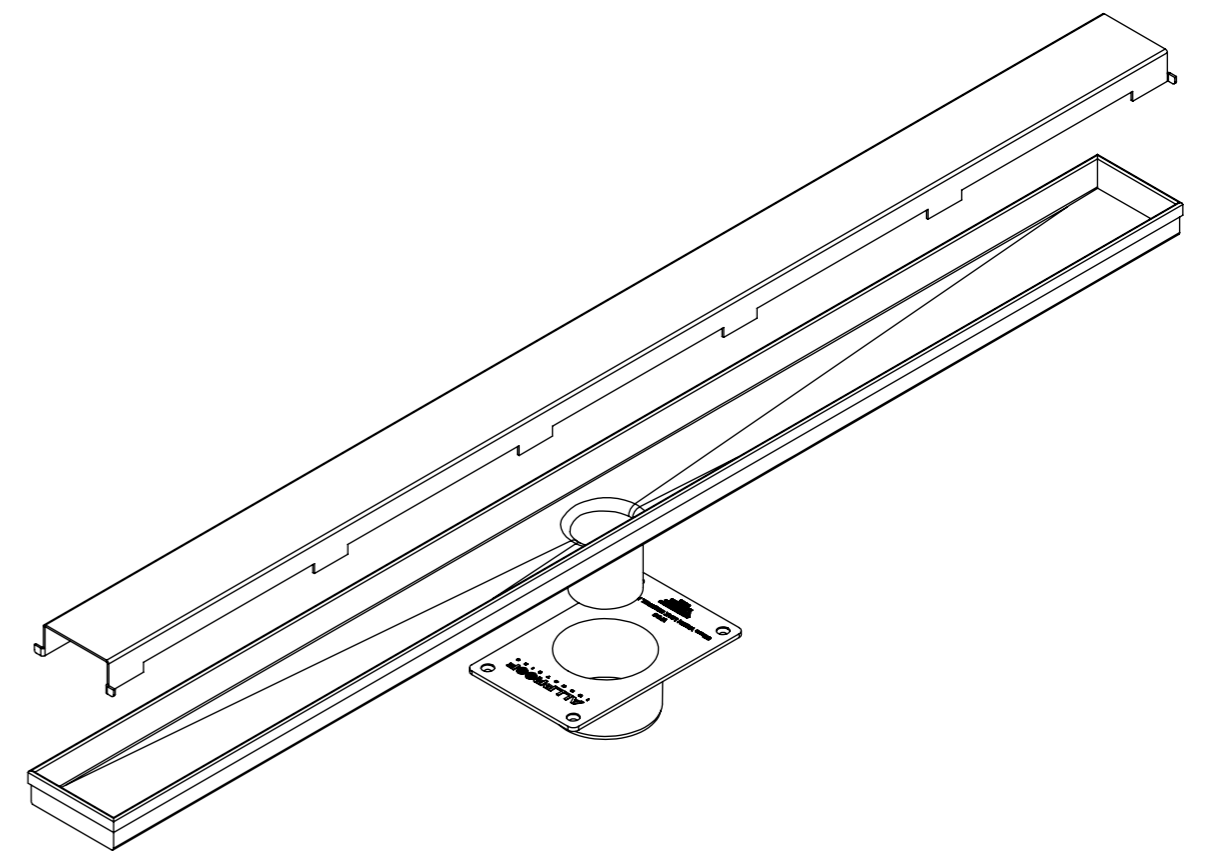


DESCRIPTION

CODE	FINISH
V1000H	STAINLESS STEEL



SECTION V-V
SCALE 1 : 2



REVISION	CHANGE	DESCRIPTION	SL	DATE
XXX	XXX	XXX	SL	XXX
DO NOT SCALE DRAWING		TITLE		
REQUESTED	XXX	DATE		
DRAWN	S.L.	DATE		
APPROVED		DATE		
MATERIAL		APPLICABLE STANDARD(S):		
XXX		DRAWING REF NUMBER		
		TKV1000H		
A3	UNITS = MM	SCALE (UOS)	1 : 5	
				SHEET 3 OF 10

TOOL NUMBER	0.0
PART WEIGHT(GRAMS)	0.0
FILE	S\CAD FILES\2017\DIVERSE\TKV

DISCLAIMER : THE DESIGN SUGGESTION IS PROVIDED FOR EVALUATION PURPOSES ONLY.
IT IS NOT TO BE CONSIDERED A FULL DESIGN AS WE ARE NOT THE CONSULTING ENGINEERS, WE ARE MANUFACTURERS, WE ARE NOT PRIVY TO ALL THE INFORMATION PERTAINING TO THIS MATTER AND WE HAVE NO CONTROL OVER THE PROJECT INSTALLATION OF THE PRODUCT, THE DESIGN SUGGESTION IS PROVIDED WITHOUT OBLIGATION.
DESIGN IS TO BE CONFIRMED AND APPROVED BY THE ARCHITECT, HYDRAULICS ENGINEER, OR PROJECT MANAGER. ACCURATE MEASUREMENTS SHOULD BE CONFIRMED BY THE PERSON APPROVING THE DESIGN. ALLPROOF ACCEPTS NO LIABILITY FOR THE IMPROPER USE OF THE DESIGN SUGGESTION.