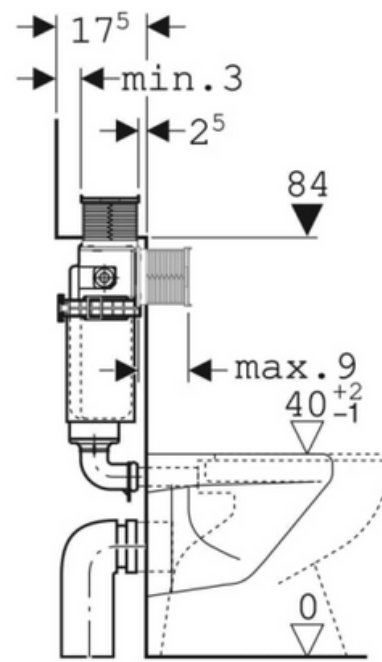
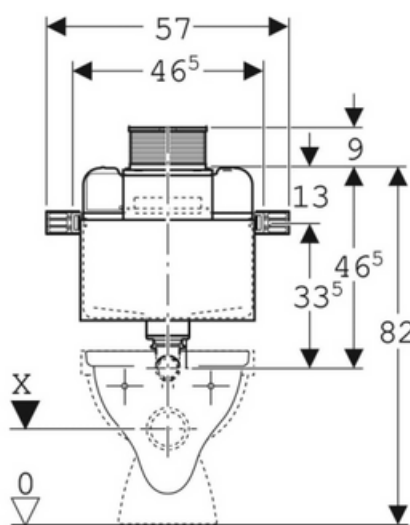


Geberit Kappa Low Level Undercounter Concealed Cistern



Characteristics

- Adjustable in depth
- Concealed cistern with top or front actuation
- Concealed cistern, fully insulated against condensation
- Immediate post flush possible with factory setting
- Welded flush bend

Application purposes

- For installation in part or room-height prewall installations
- For installation in room-height installation walls
- For floor-standing WCs
- For dual flush

Scope of delivery

- Water supply connection Rp 1/2" - R 1/2", compatible with MF, with integrated angle stop valve and hand wheel
- Protection box for service opening
- Fastening for flush bend
- Protection plug
- 2 fixing brackets
- Fastening material
- Water supply connection on the left
- Protection cover box for service opening protects against moisture and dirt
- Protection box for service opening can be cut to length without tools

Technical data

Flow pressure	10–1000 kPa
Maximum operating temperature, water	25 °C
Flush volume, factory setting	6 and 3 l
Flush volume large, adjustment range	6 / 9 l
Flush volume small, adjustment range	3-4 l

Art. no.	B	H	T
110.208.00.1	40 cm	36 cm	13.5 cm