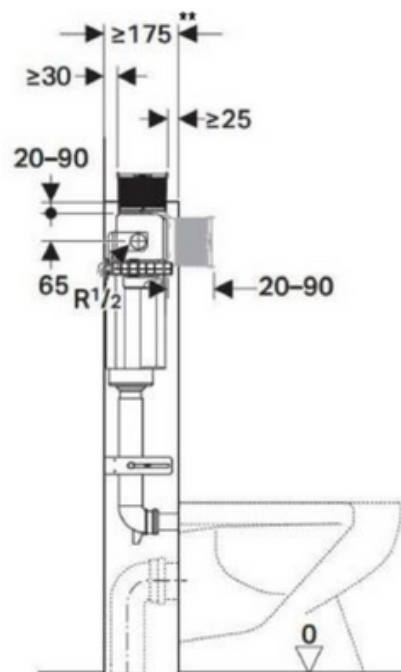
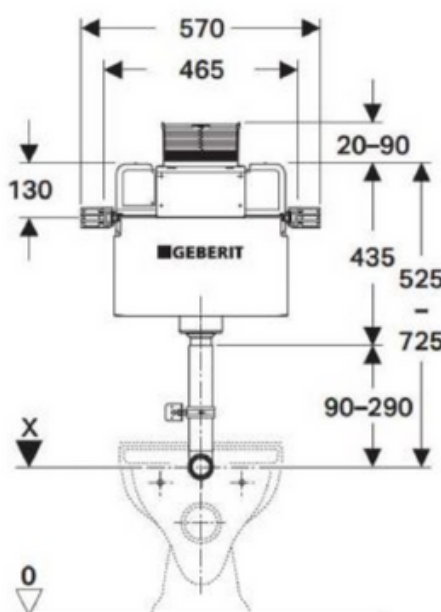


Geberit Kappa Mid Level Undercounter Concealed Cistern



Characteristics

- Adjustable in depth
- Concealed cistern with top or front actuation
- Concealed cistern, fully insulated against condensation
- Immediate post flush possible with factory setting
- Flush bend fitted
- Water supply connection on the left
- Protection cover box for service opening protects against moisture and dirt
- Protection box for service opening can be cut to length without tools

Scope of delivery

- Water supply connection Rp 1/2" - R 1/2", compatible with MF, with integrated angle stop valve and hand wheel
- Protection box for service opening
- Flush bend extension, \varnothing 45 mm
- Fastening for flush bend
- 2 fixing brackets
- Fastening material

Application purposes

- For installation in part or room-height prewall installations
- For installation in room-height installation walls
- For floor-standing WCs
- For dual flush

Technical data

| | |
|--------------------------------------|-------------|
| Flow pressure | 10–1000 kPa |
| Maximum operating temperature, water | 25 °C |
| Flush volume, factory setting | 6 and 3 l |
| Flush volume large, adjustment range | 6 / 9 l |
| Flush volume small, adjustment range | 3–4 l |

Art. no.

224.368.00.1