

# OPTIMA PLUS

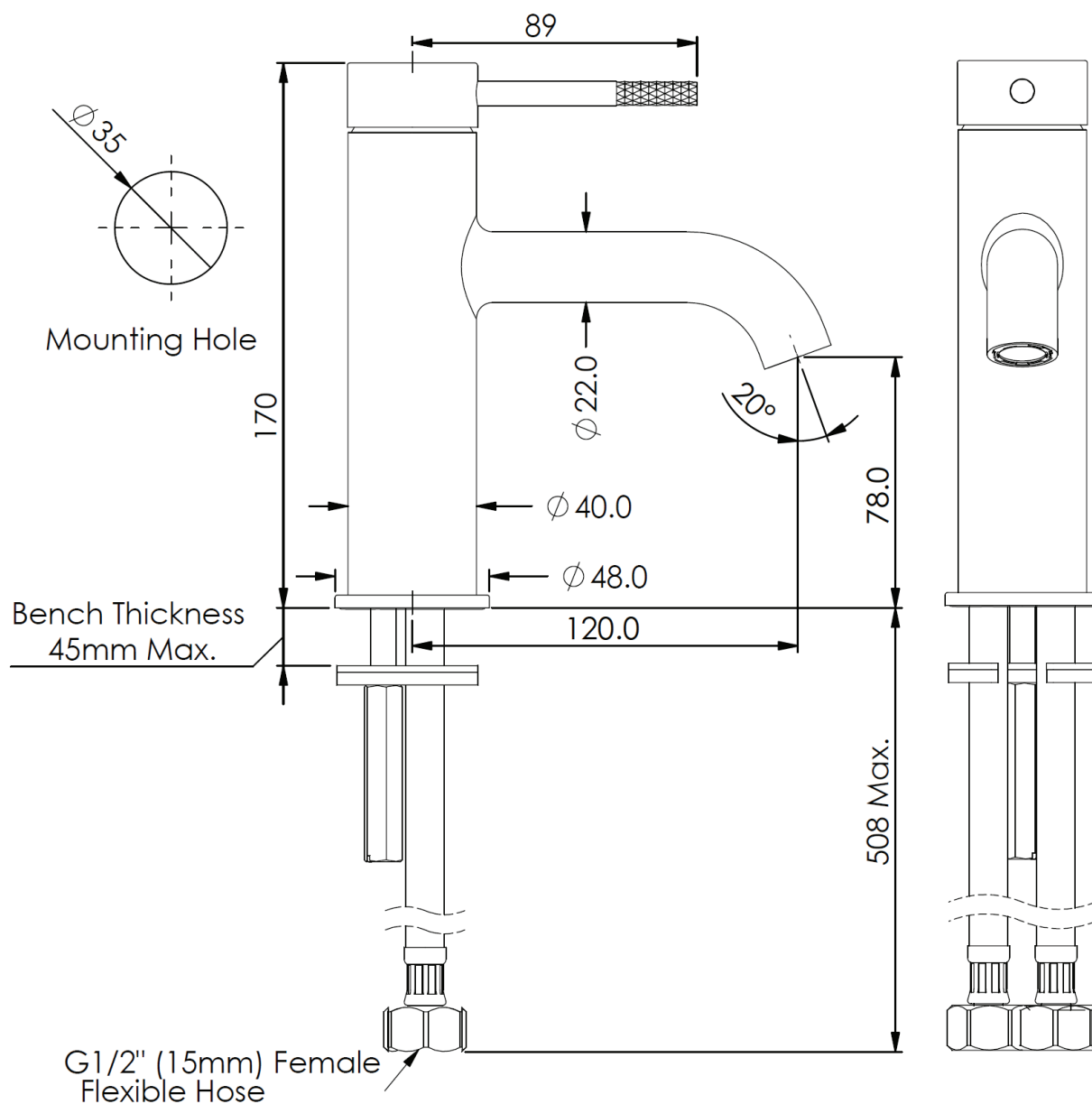
## Basin Mixer

- LF23703550CP | Chrome
- LF23703550MB | PVD Matte Black
- LF23703550BN | PVD Brushed Nickel
- LF23703550BB | PVD Brushed Brass
- LF23703550GM | PVD Gun Metal
- LF23703550BC | PVD Brushed Copper



WELS 4 Star 7.0L/M

- Textured Pin Lever Handle Design
- Solid cast body - no joins
- 35mm Cartridge
- Hidden Aerator
- Modern Slim Base ring



**AU** PHONE - 1800 244 487  
EMAIL - [aussales@greenstapware.com](mailto:aussales@greenstapware.com)  
WEBSITE - [www.greenstapware.com.au](http://www.greenstapware.com.au)



**GREENS**  
where life meets water