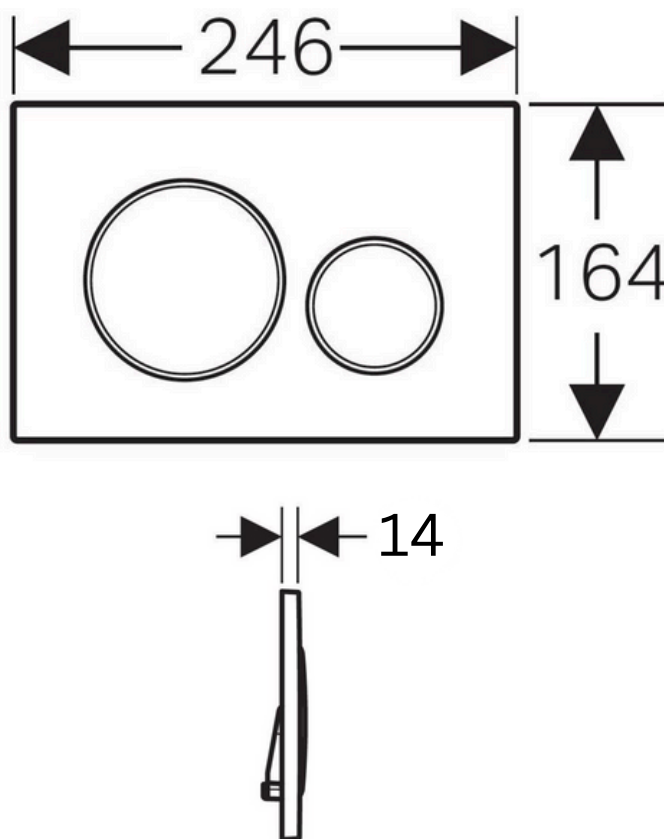
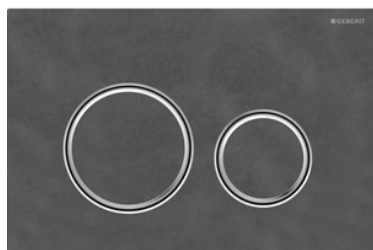


Geberit Sigma21 actuator plate for dual flush



Characteristics

- Front actuation

Application purposes

- For flush actuation with Sigma concealed cisterns

Accessories

- Geberit extension set for Sigma, Omega and Kappa concealed cisterns

Technical Data

- Actuation force < 20 N

Scope of delivery

- Mounting frame
- 2 actuator rods
- 2 distance bolts
- Sound-absorbing actuator rods, tool-free fast adjustment

Art. no.	Colour / surface	Material designation	B	H	T
115.884.JM.1	Base plate and design rings: chrome-plated Cover plate and buttons: Mustang slate	Die-cast zinc / slate	24.6 cm	16.4 cm	1.4 cm
115.884.SI.1	Base plate and design rings: chrome-plated Cover plate and buttons: white	Die-cast zinc / glass	24.6 cm	16.4 cm	1.4 cm
115.884.SJ.1	Base plate and design rings: chrome-plated Cover plate and buttons: black	Die-cast zinc / glass	24.6 cm	16.4 cm	1.4 cm