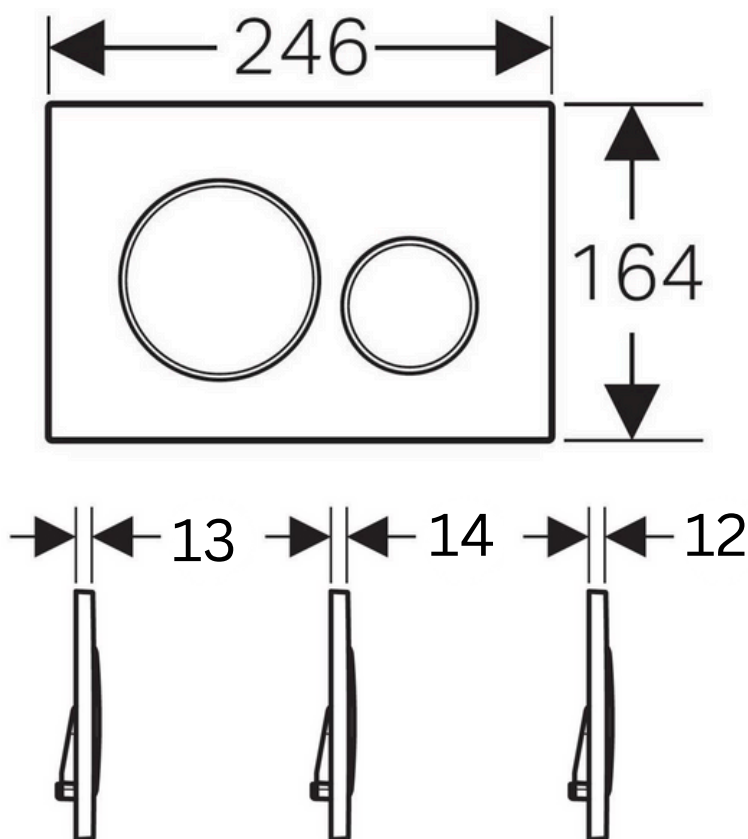


Geberit Sigma50 actuator plate for dual flush



Characteristics

- Front actuation

Application purposes

- For flush actuation with Sigma concealed cisterns

Accessories

- Geberit DuoFresh module with automatic actuation and insert for Geberit DuoFresh stick, for Sigma concealed cistern 8 cm
- Geberit extension set for Sigma, Omega and Kappa concealed cisterns

Technical Data

- Actuation force < 20 N

Scope of delivery

- Mounting frame
- 2 actuator rods
- 2 distance bolts
- Sound-absorbing actuator rods, tool-free fast adjustment
- Easy-to-clean coated actuator buttons

Art. no.	Colour / surface	Material designation	B	H	T
115.788.11.2	Base plate and buttons: chrome-plated Cover plate: white	Die-cast zinc / plastic	24.6 cm	16.4 cm	1.3 cm
115.788.DW.2	Base plate and buttons: chrome-plated Cover plate: black	Die-cast zinc / plastic	24.6 cm	16.4 cm	1.3 cm
115.788.JM.2	Base plate and buttons: chrome-plated Cover plate: Mustang slate	Die-cast zinc / slate	24.6 cm	16.4 cm	1.4 cm
115.788.SD.2	Base plate and buttons: chrome-plated Cover plate: smoked glass reflective	Die-cast zinc / glass	24.6 cm	16.4 cm	1.4 cm