



## AquaMAX Pro-tec 26L Continuous Flow HW 50° LPG

### PRODUCT IMAGE



### PRODUCT DETAILS

**Code:** 9P6A26PF  
**Benton's Code:** 816157A

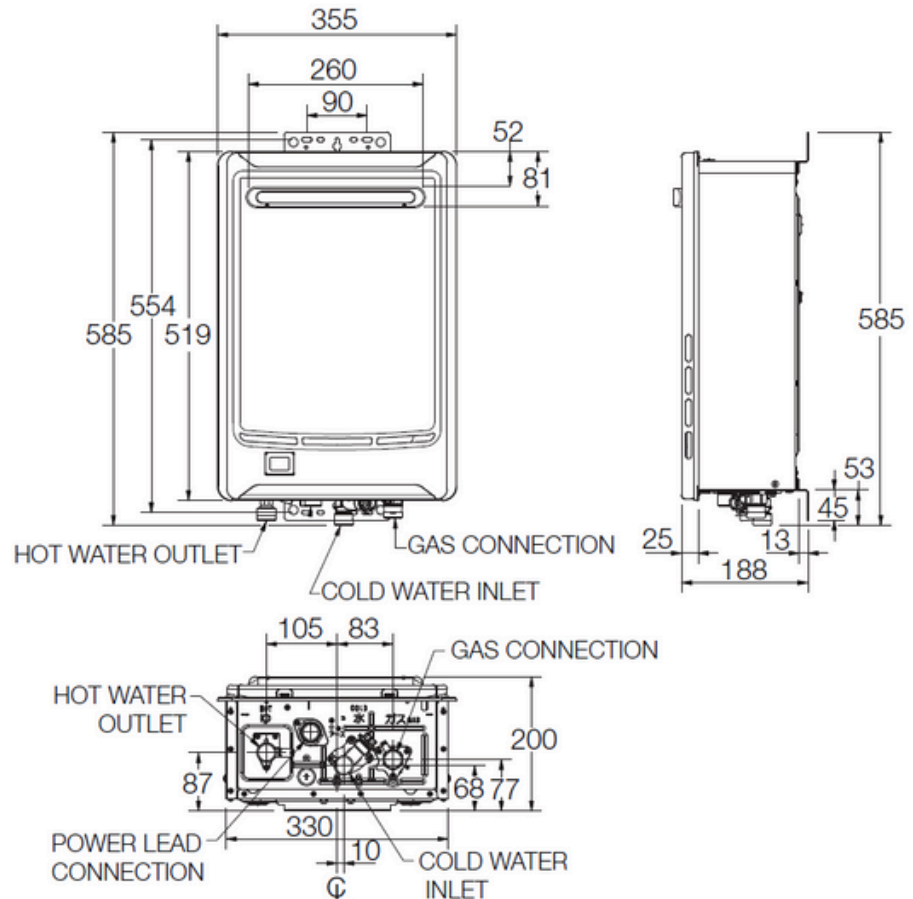
**Brand:** Rheem  
**Range:** AquaMAX Pro-tec  
**Warranty:** 10 Year Heat Exchanger Warranty



### ADDITIONAL FEATURES

- 6-star gas energy rating
- Available in 20 & 26L/min output capacities
- Low minimum operating flow 2.0 L/min
- Available in 50°C or 60°C factory presets
- OK monitor
- Built-in frost protection
- Small footprint, easy to install

### SPECIFICATION



Maximum Temperature °C	50°C
Gas Type	Propane
Number of Bathrooms	2 to 2.5
Gas Energy Rating (Stars)	6.0
Warranty (Heat Exchanger)	10 Years
Flow Rate L/Min at 25°C Rise	26L/min
Min Operating Flow Rate L/min	2.0L/min
Nominal Gas Consumption MJ/Hr	199MJ/Hr