

## Spello Freestanding 1500 Bath

### PRODUCT IMAGE



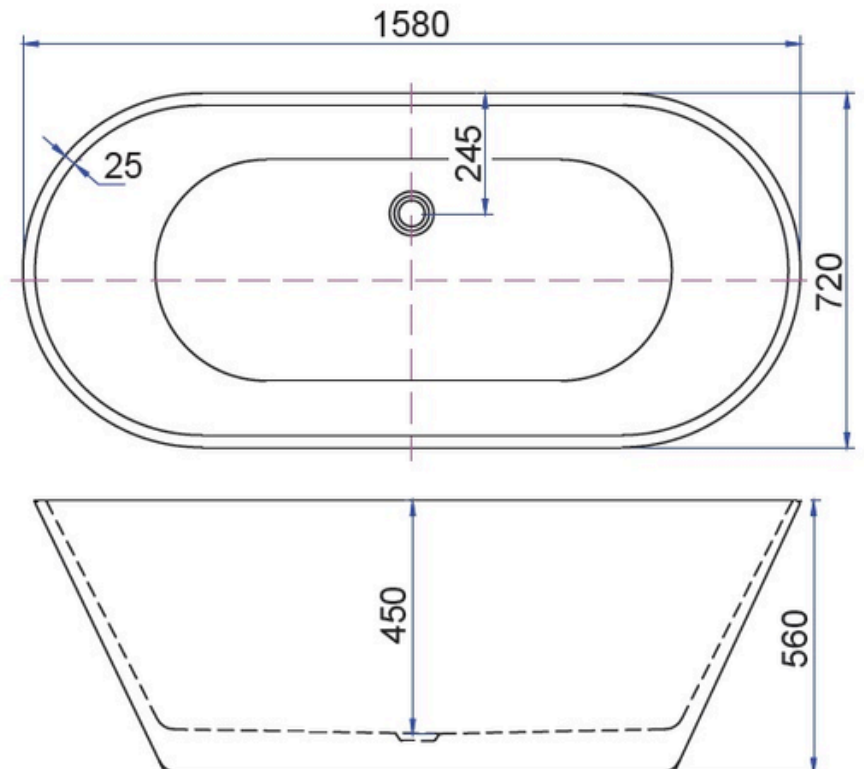
### PRODUCT DETAILS

<b>Code:</b>	<b>5672 (1580x720x570)</b>
<b>Benton's Code:</b>	<b>86910025</b>
<b>Brand:</b>	Zhejiang Aifeiling Import
<b>Range:</b>	Spello
<b>Warranty:</b>	2 Years
<b>WELS:</b>	N/A

### ADDITIONAL FEATURES

- This stand alone bath is the latest favourite in bathroom design, elegant and simplistic.
- Free standing baths instil a sense of sophistication and elegance to any bathroom space
- Guaranteed to be a relaxing bathing experience.
- Lucite ® Bright White non porous surface
- Hard wearing, resistant to chemicals, UV rays & abrasion
- Plug and Waste sold separately
- 2 Year Warranty

### SPECIFICATION



### ALSO AVAILABLE

- Also available in 1700