

The below products have been shared with you through the Caroma Specify website.

Visit specify.caroma.com.au to find more inspirational and innovative bathroom products.



CAROMA

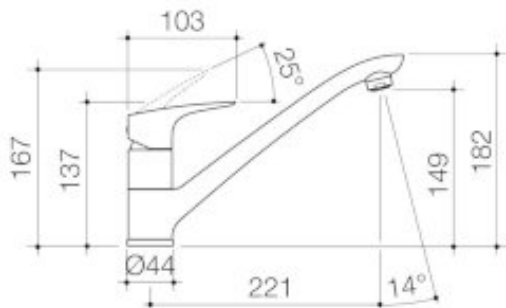
CARE PLUS SINK MIXER STANDARD HANDLE H/C - LF

The Care Plus Mixer range is ideal for commercial care requirements, with the versatility of adaptable handles, in hot/cold or warm/cold combinations; and increased indicator size across all handle options. The range features laminar flow as standard for added infection control against legionella and bacteria in hospitals and aged care facilities.

- Available in Lead Free brass*. The inclusion of F in the code and LF in the product description indicates the product is certified Lead Free. - 35mm adjustable cartridge for added temperature and flow control - Silicone aerator prevents calcium and limescale build-up for easy maintenance - SoftPEX hoses provide supreme durability, longer life, anti bacterial properties and free from impurities - Large colour indicators for easier identification, ideal for aged care applications - Laminar flow as standard that reduces the risk of legionella contamination - Standard handle with W/C (yellow and blue) indicators available as adaptable option - Chrome finish - *<0.25% lead as per Lead Free Watermark certification

PRODUCT CODES

91108C4AF Care Plus Sink Mixer Standard Handle H/C - LF \$408.90*



© COPYRIGHT 2014 - CAROMA INDUSTRIES LIMITED



*All price are recommended retail inclusive of GST in AUD. To be used as a guide only, prices may vary between model variations, and are subject to change without notice. A number of brands and products on this page are the subject of registered trade marks, register designs and/or registered patents. View full disclaimer on specify.caroma.com.au